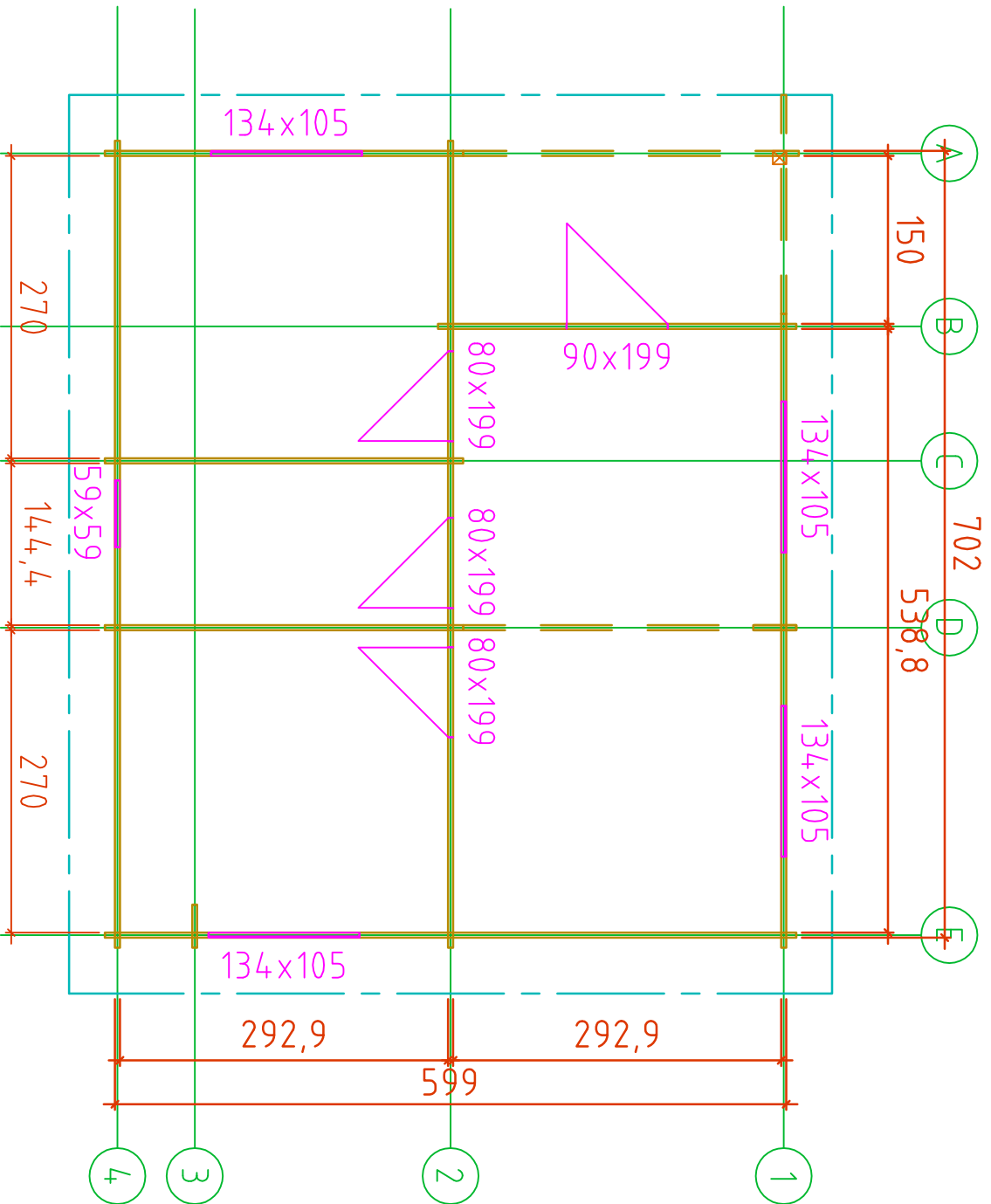
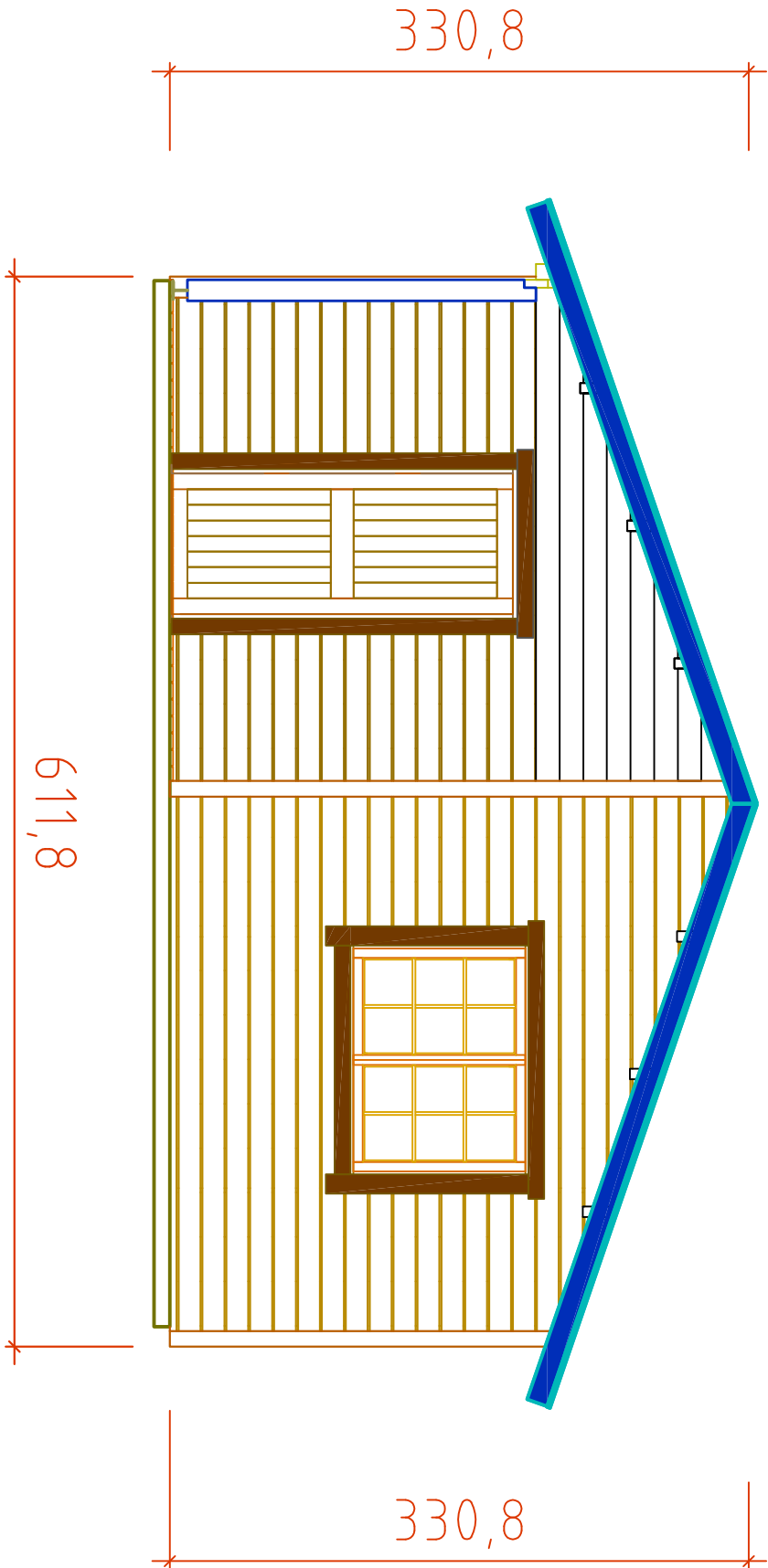


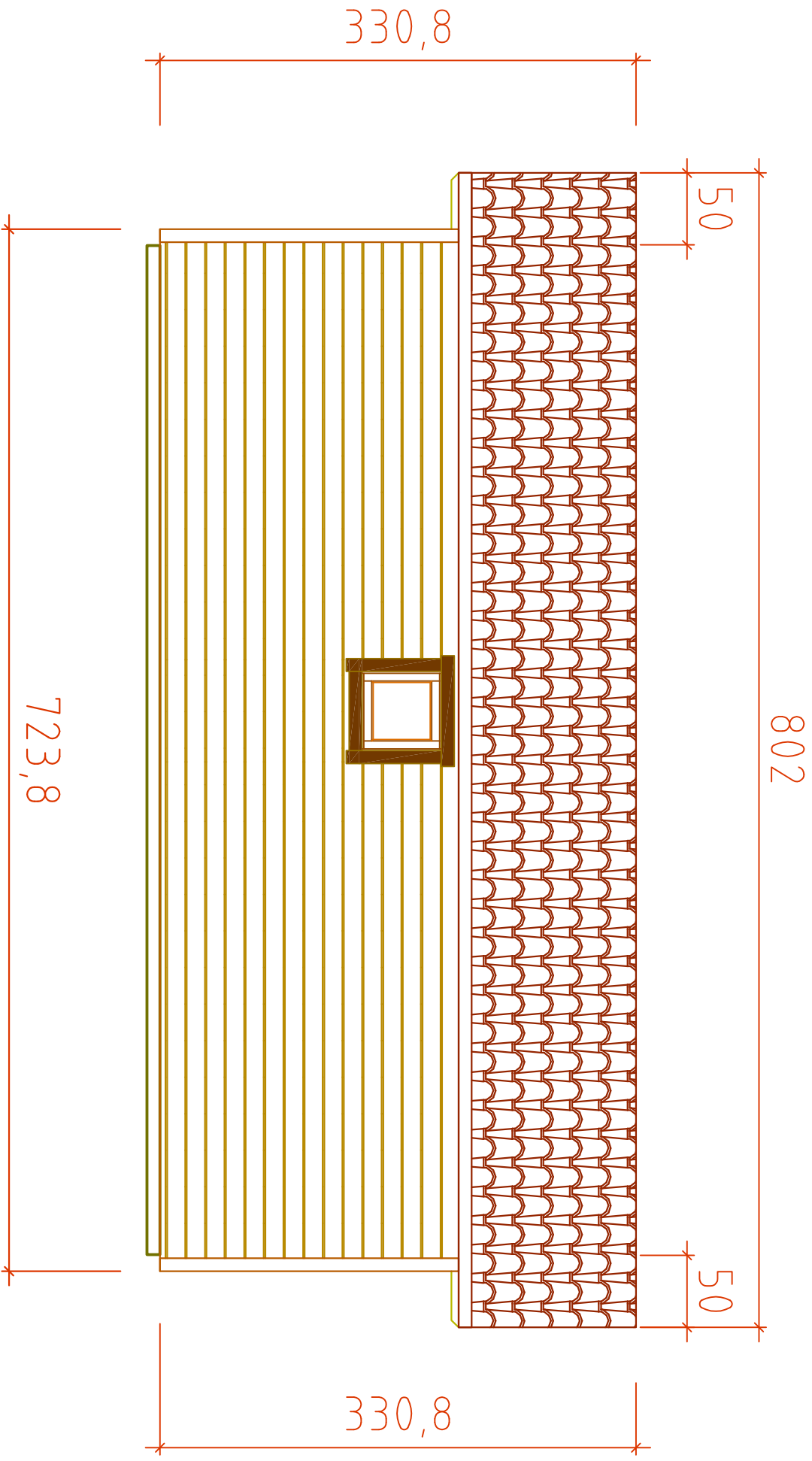
Code	Artanzon_Lorca	Page	1	09.07.2014
Drawing	Plan	Scale	1:100	
Wall 44+90+19		File Artanzon_Lorca 3D.dwg		



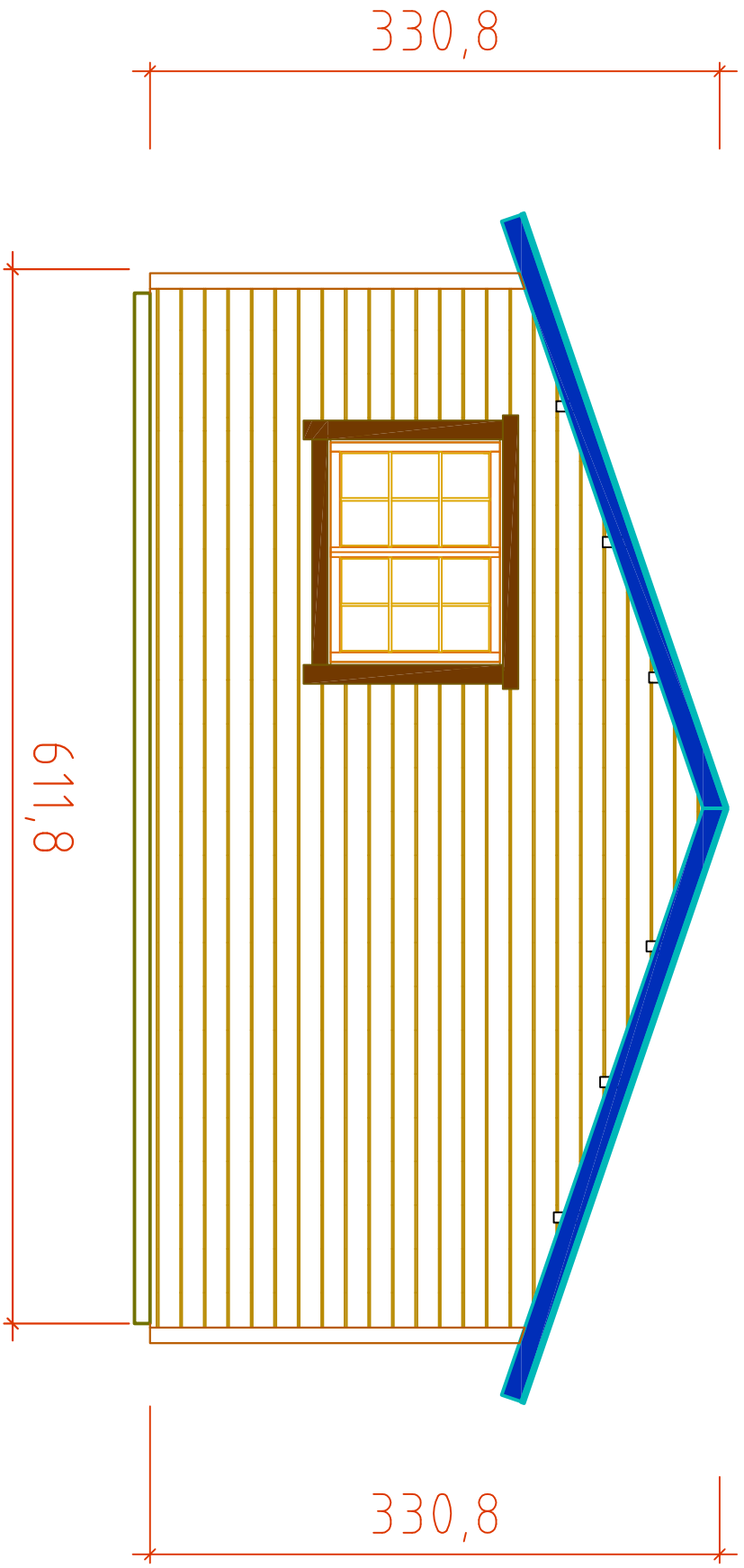
Code	Artanzon_Lorca		Page	1	09.07.201
Drawing	Plan		Scale	1:100	
File	Wall 44+90+19		Artanzon_Lorca.dwg		



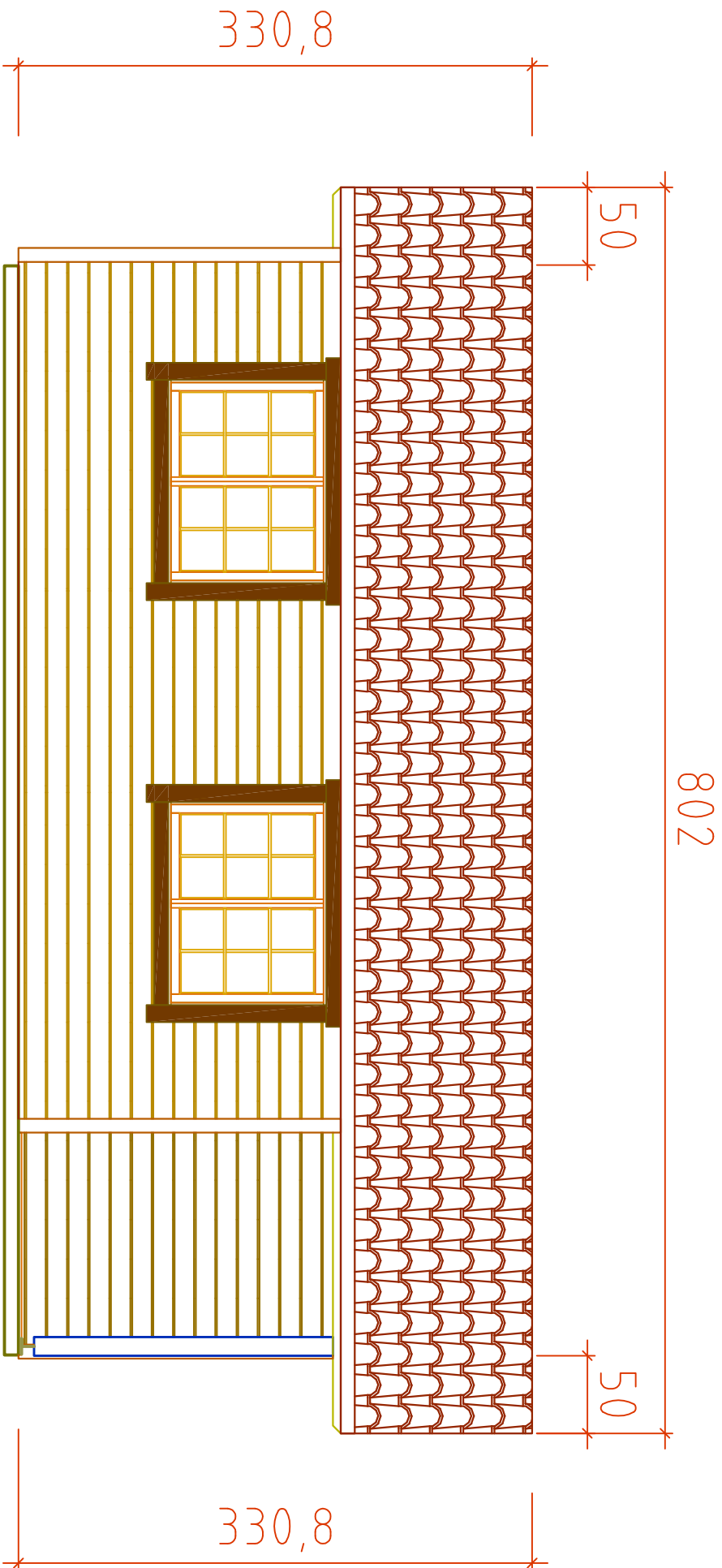
Code	Arlanzon_Lorca		Page	2	09.07.2011
Drawing	Facade-1		Scale	1:100	
Wall 44+90+19			File	Arlanzon_Lorca.dwg	



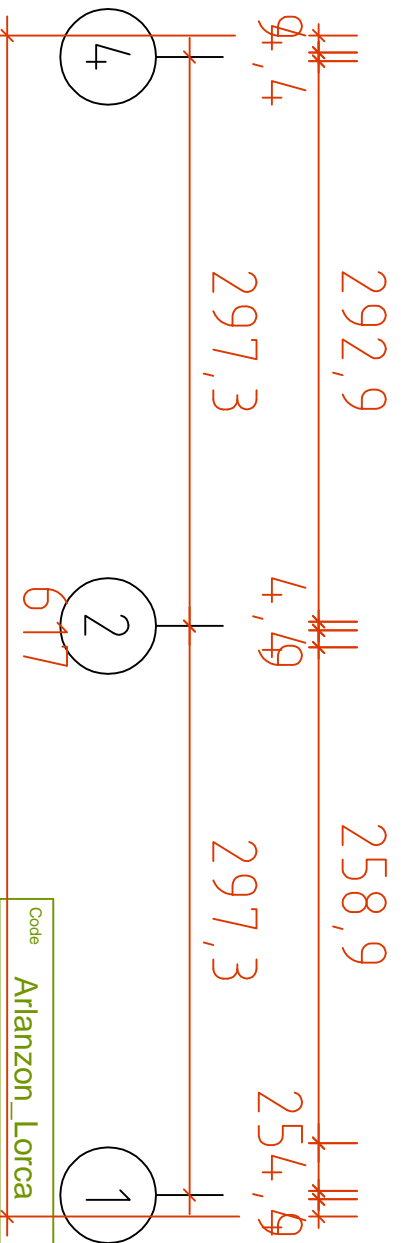
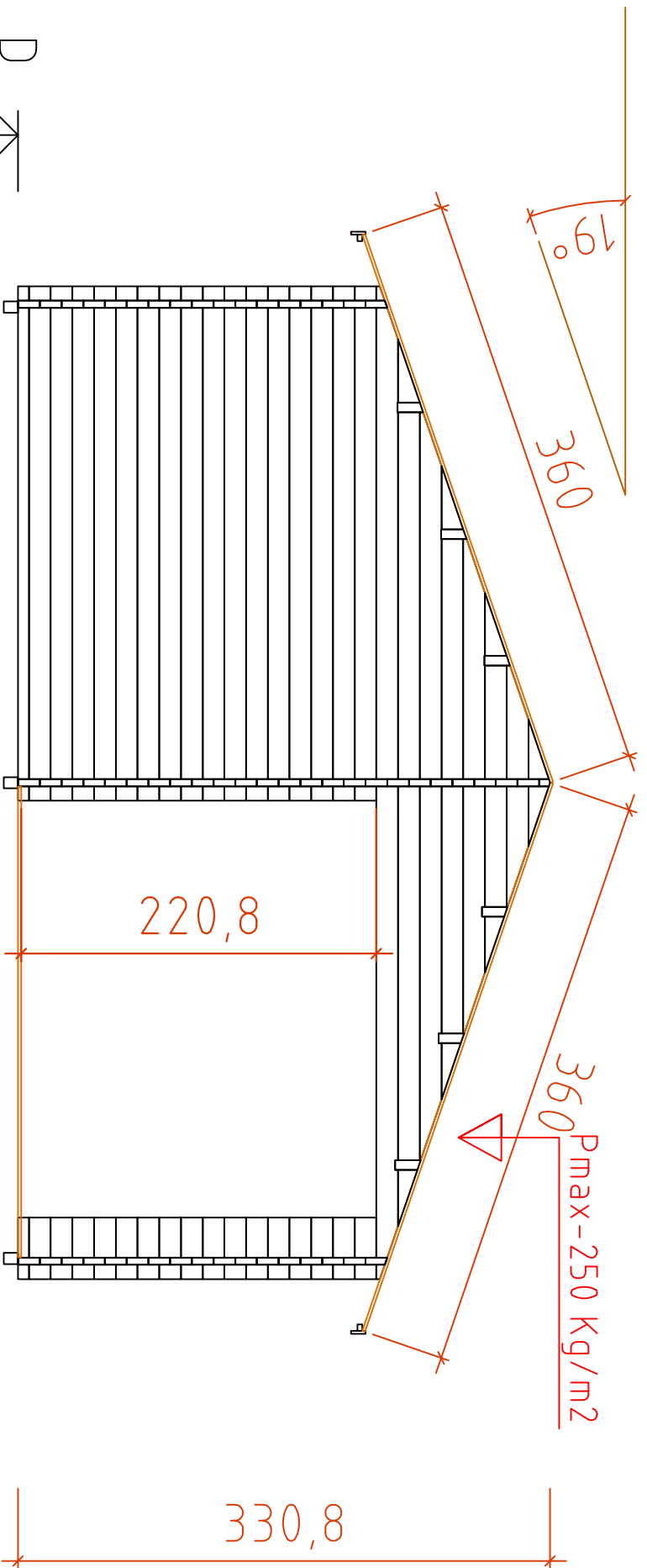
Code	Arlanzon_Lorca		Page	3	Scale	09.07.201
Drawing	Facade-2					1:100
File	Wall 44+90+19					Arlanzon_Lorca.dwg



Code	Arlanzon_Lorca		Page	4	Scale	09.07.201
Drawing	Facade-3					1:100
File	Wall 44+90+19		Arlanzon_Lorca.dwg			



Code	Arlanzon_Lorca		Page	5	09.07.201
Drawing	Facade-4		Scale	1:100	
File	Arlanzon_Lorca.dwg				
Wall	44+90+19				



Code	Arlanzon_Lorca		Page	6	Date	09.07.2011
Drawing	Section		Scale	1:100		
Wall 44+90+19			File	Arlanzon_Lorca.dwg		