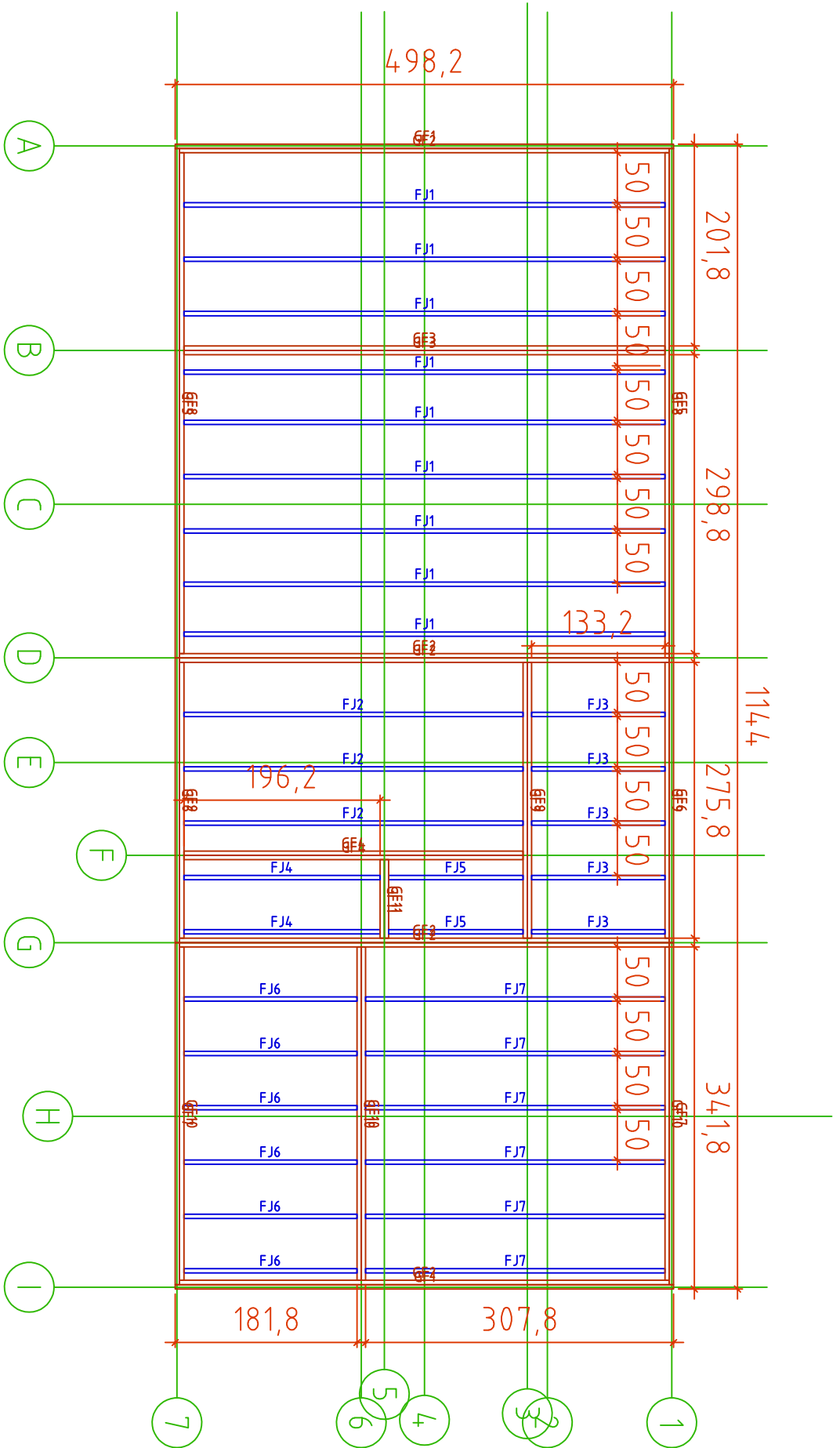
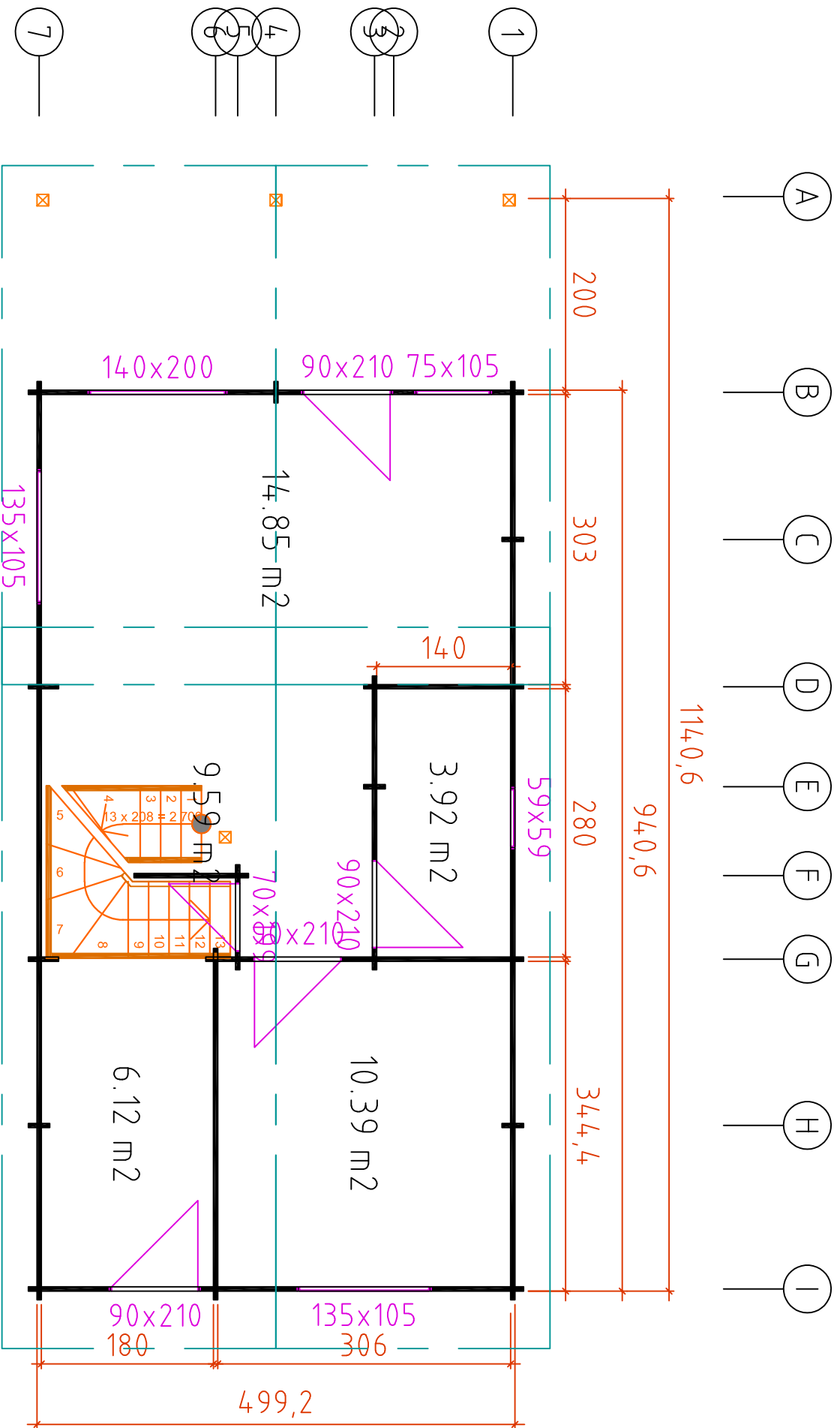


Code	Girona_Ayegui 44+90	Page	1	22.09.020
Drawing	3_D	Scale	1:100	
Wall_44+90		File	Ayegui-4.dwg	



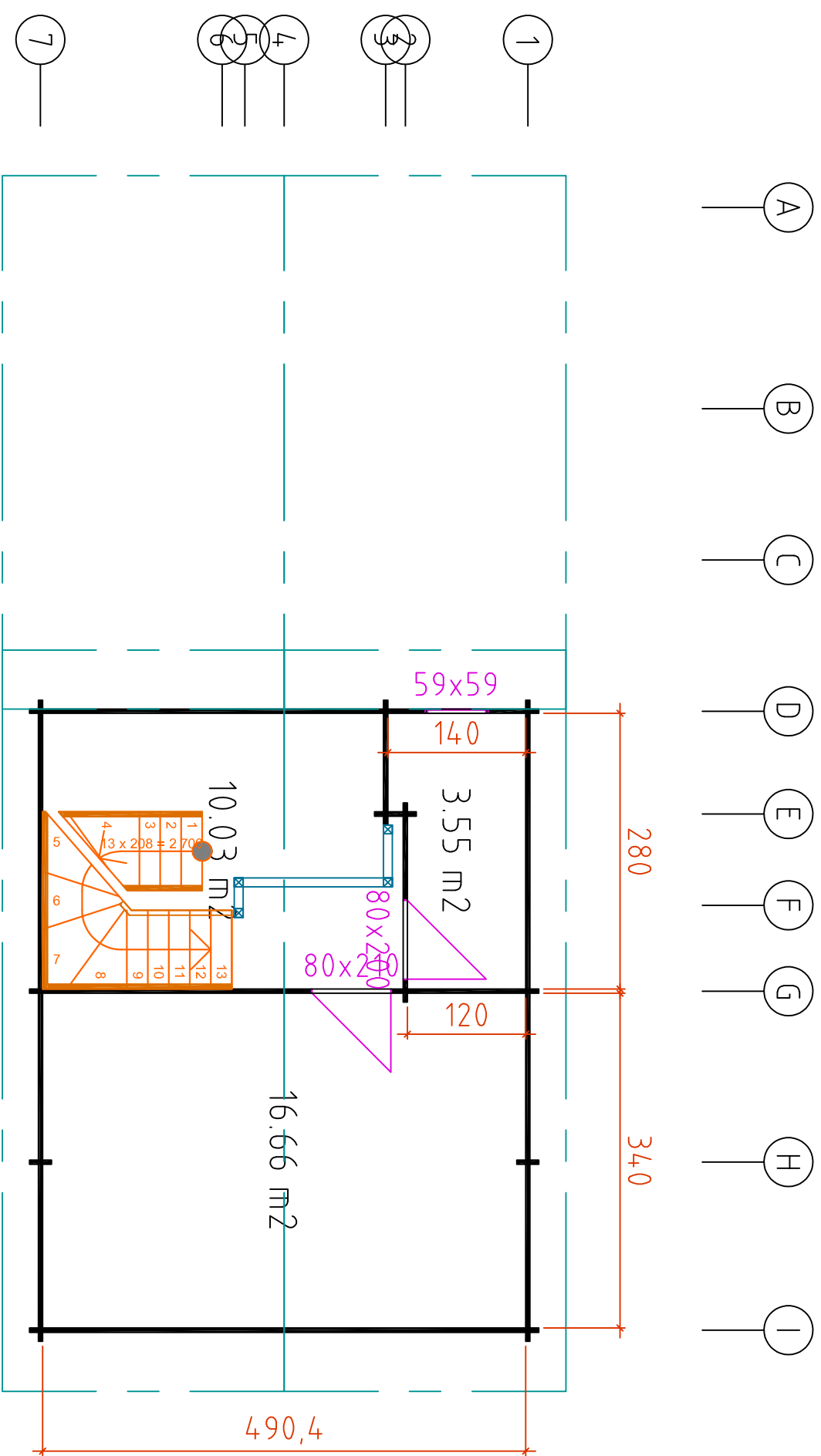
Code	Girona_Ayegui 44+90		Page	1/2	22.09.020
Drawing	Plan Ground frame		Scale	1:100	
File	Wall_44+90 Ayegui-4.dwg				

H = 1.500 m
TOTAL: 44.86 m²

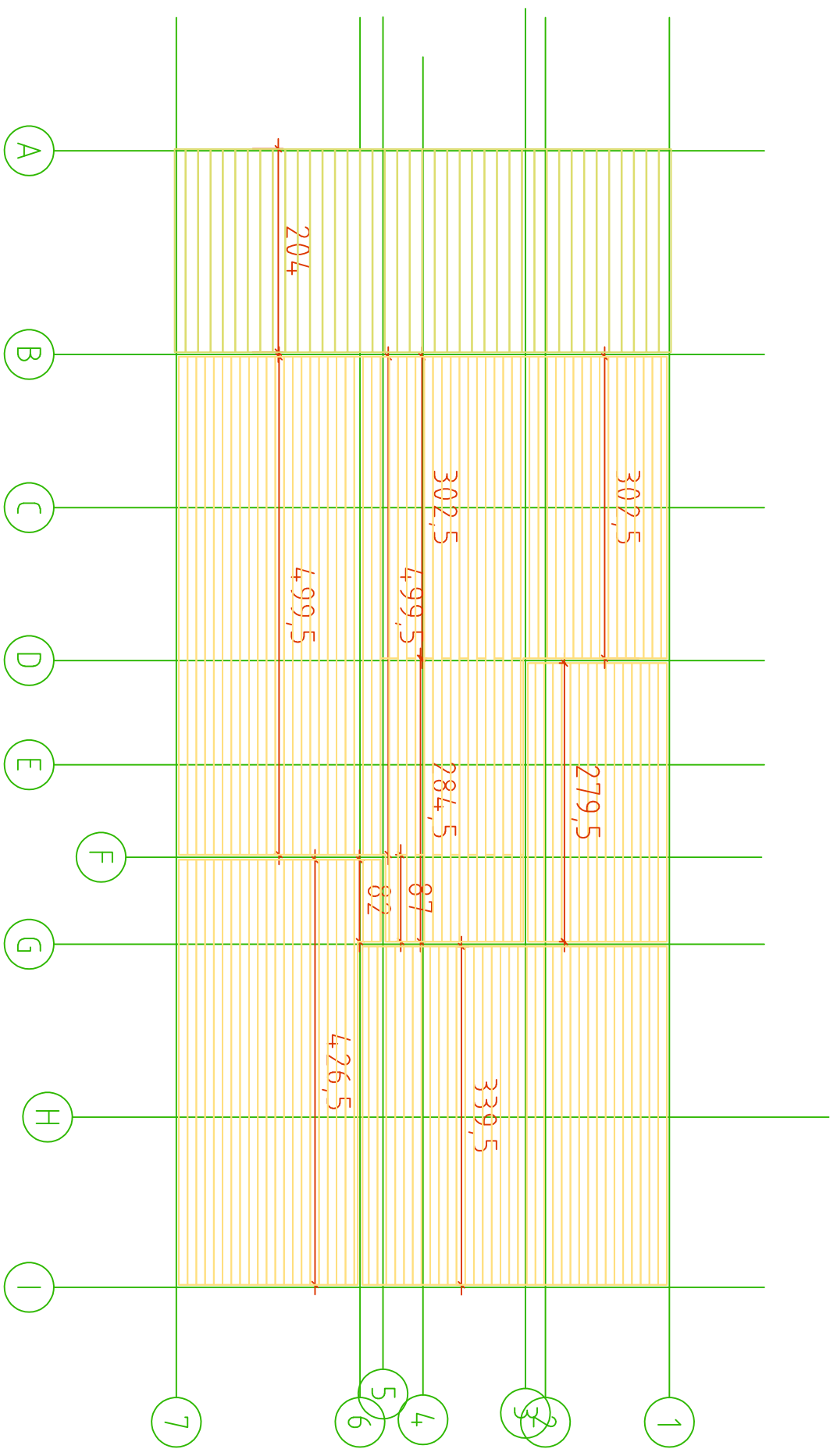


Code	Girona_Ayegui 44+90		Page	1/6	22.09.020
Drawing	Plan Ground floor		Scale	1:100	
File	Wall_44+90		File	Ayegui-4.dwg	

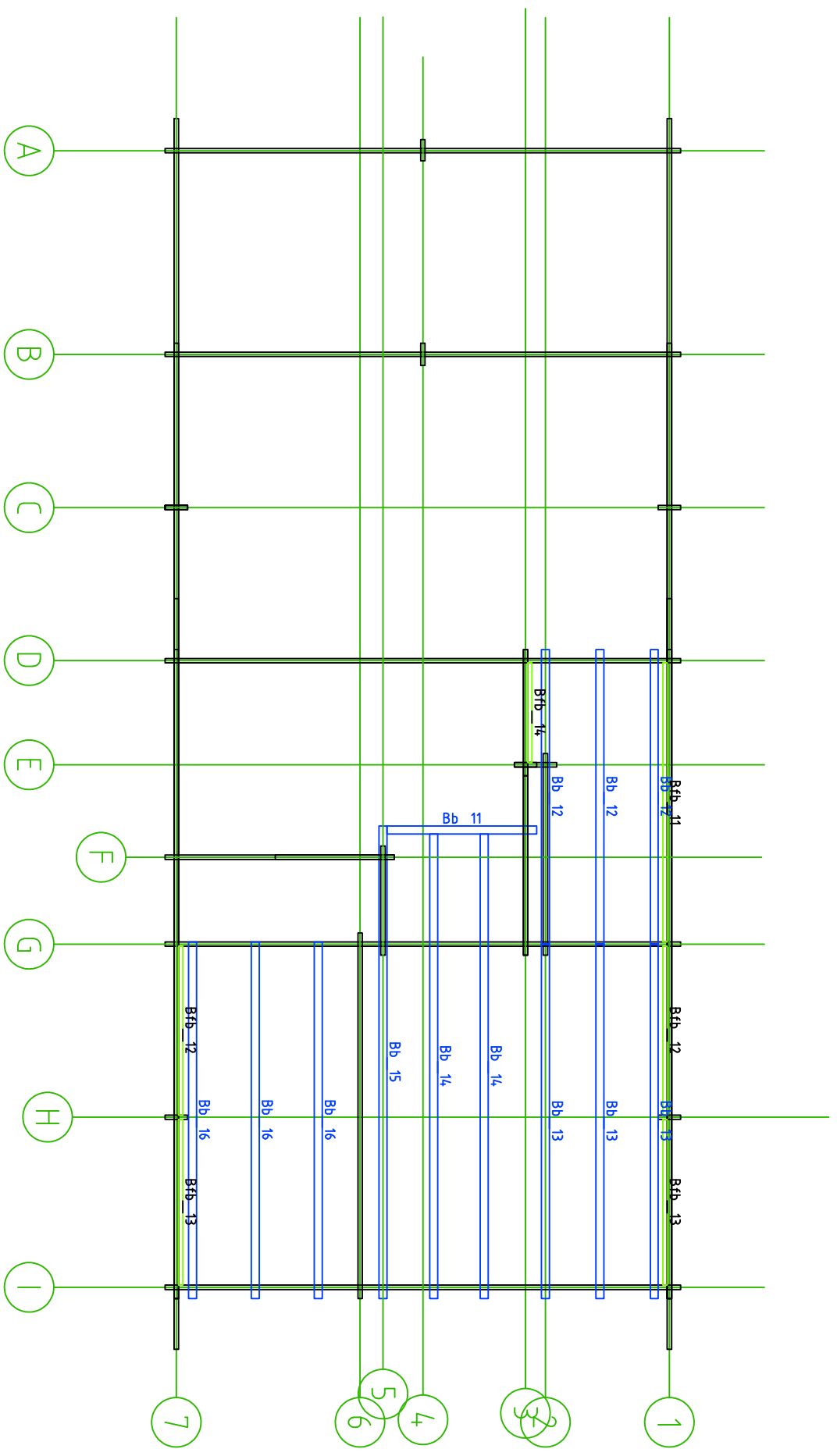
H = 3.920 m
TOTAL: 30.25 m²



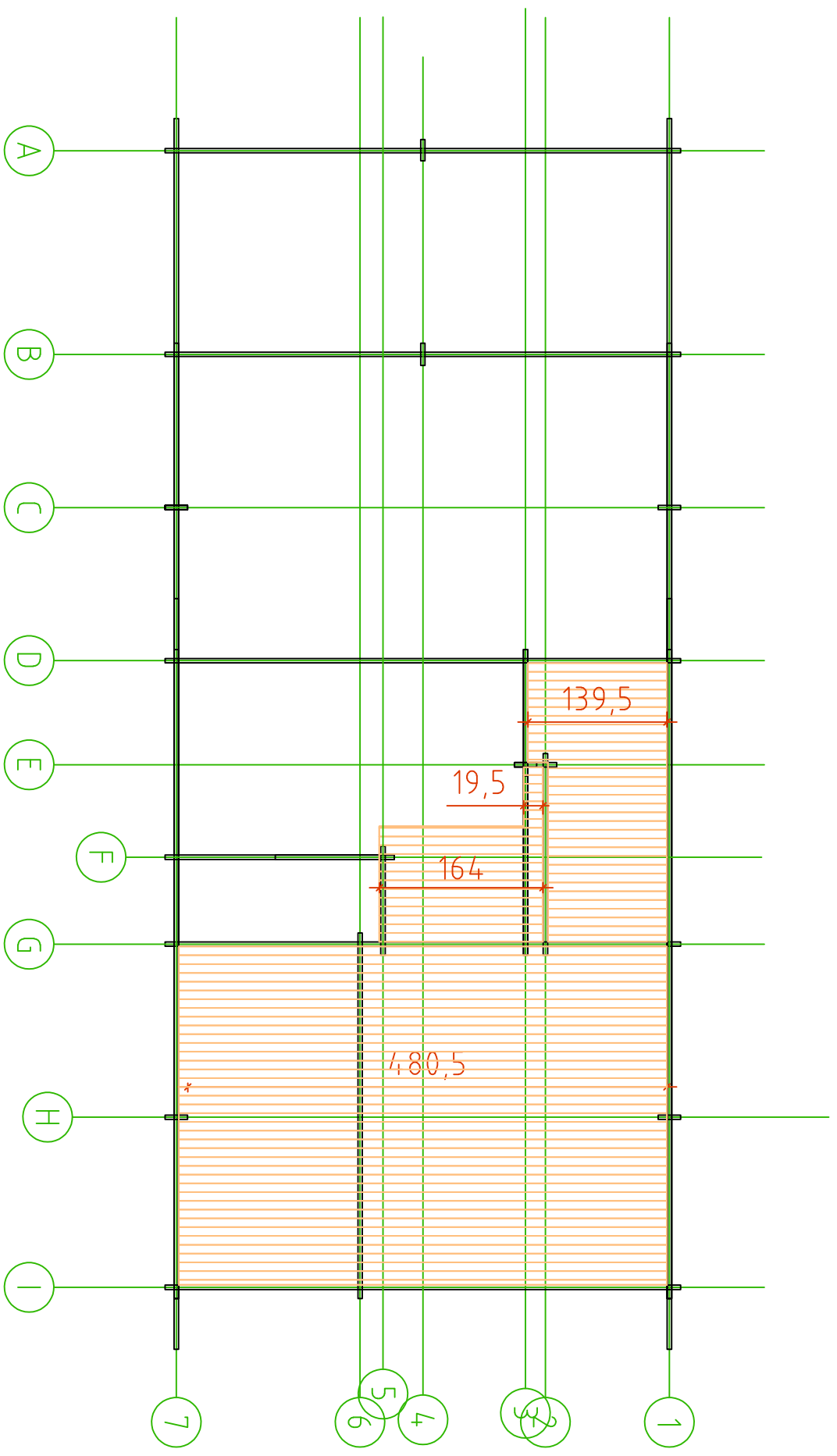
Code	Girona_Ayegui 44+90	Page	1/1	22.09.020
Drawing	Plan First floor	Scale	1:100	
File	Wall_44+90	File	Ayegui-4.dwg	



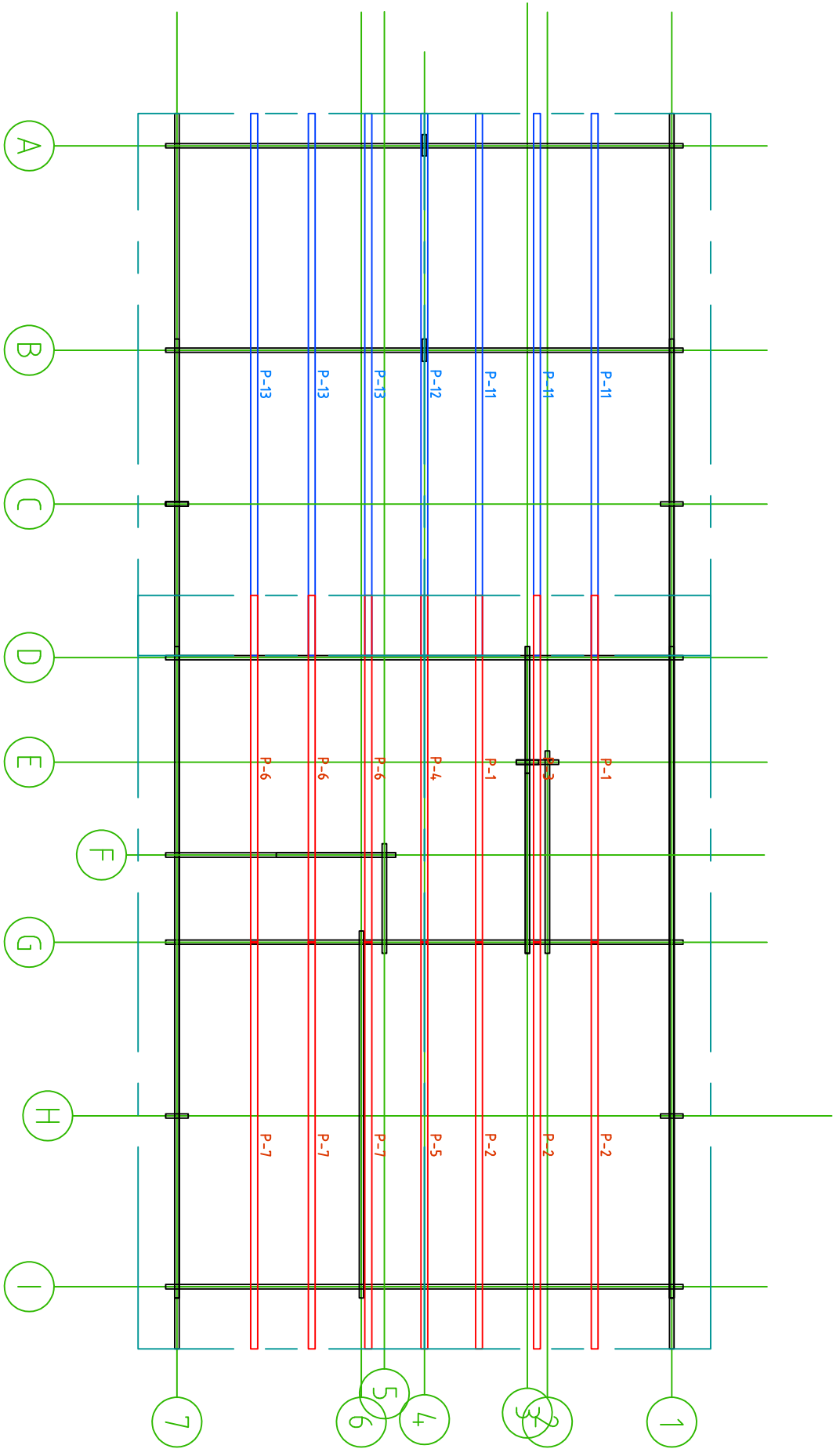
Code	Girona_Ayegui 44+90	Page	1/3	22.09.020
Drawing	Plan Ground floor Floor board	Scale	1:100	
File	Wall_44+90	File	Ayegui-4.dwg	



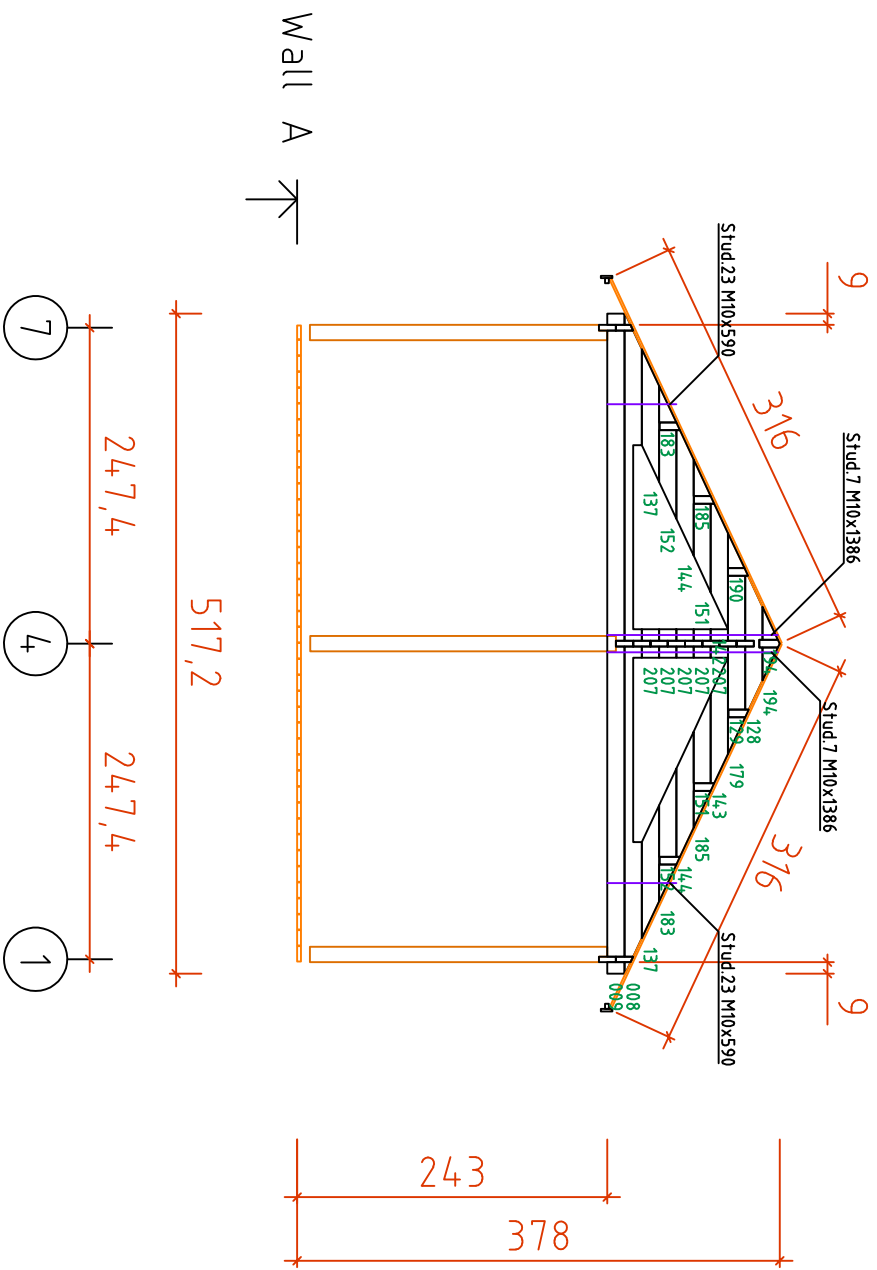
Code	Girona_Ayegui 44+90		Page	1/4	22.09.020
Drawing	Plan Bearing beam		Scale	1:100	
File	Wall_44+90		Ayegui-4.dwg		



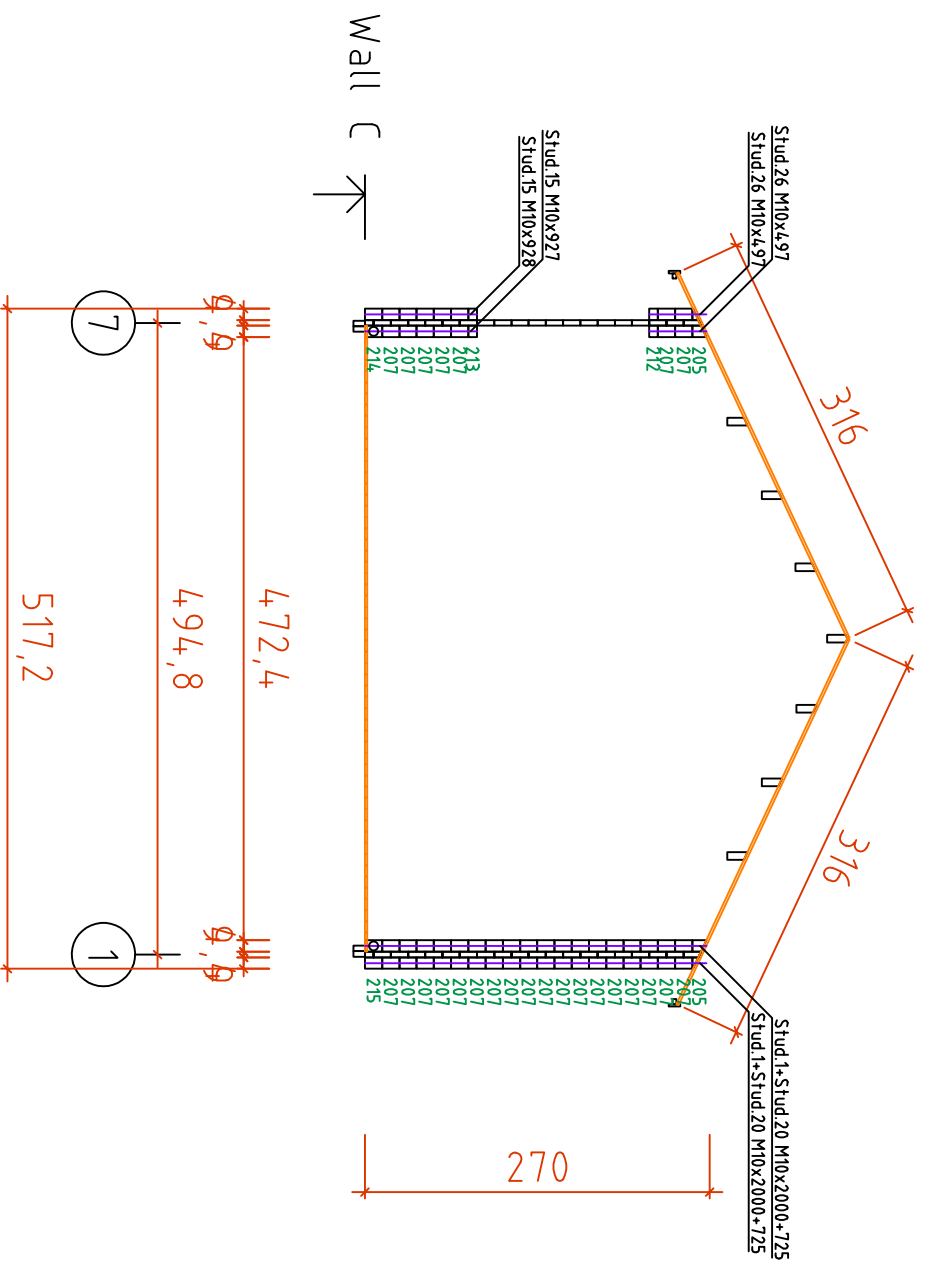
Code	Girona_Ayegui 44+90		Page	1/5	22.09.020
Drawing	Plan Sleep floor Floor board		Scale	1:100	
File	Wall_44+90		Ayegui-4.dwg		



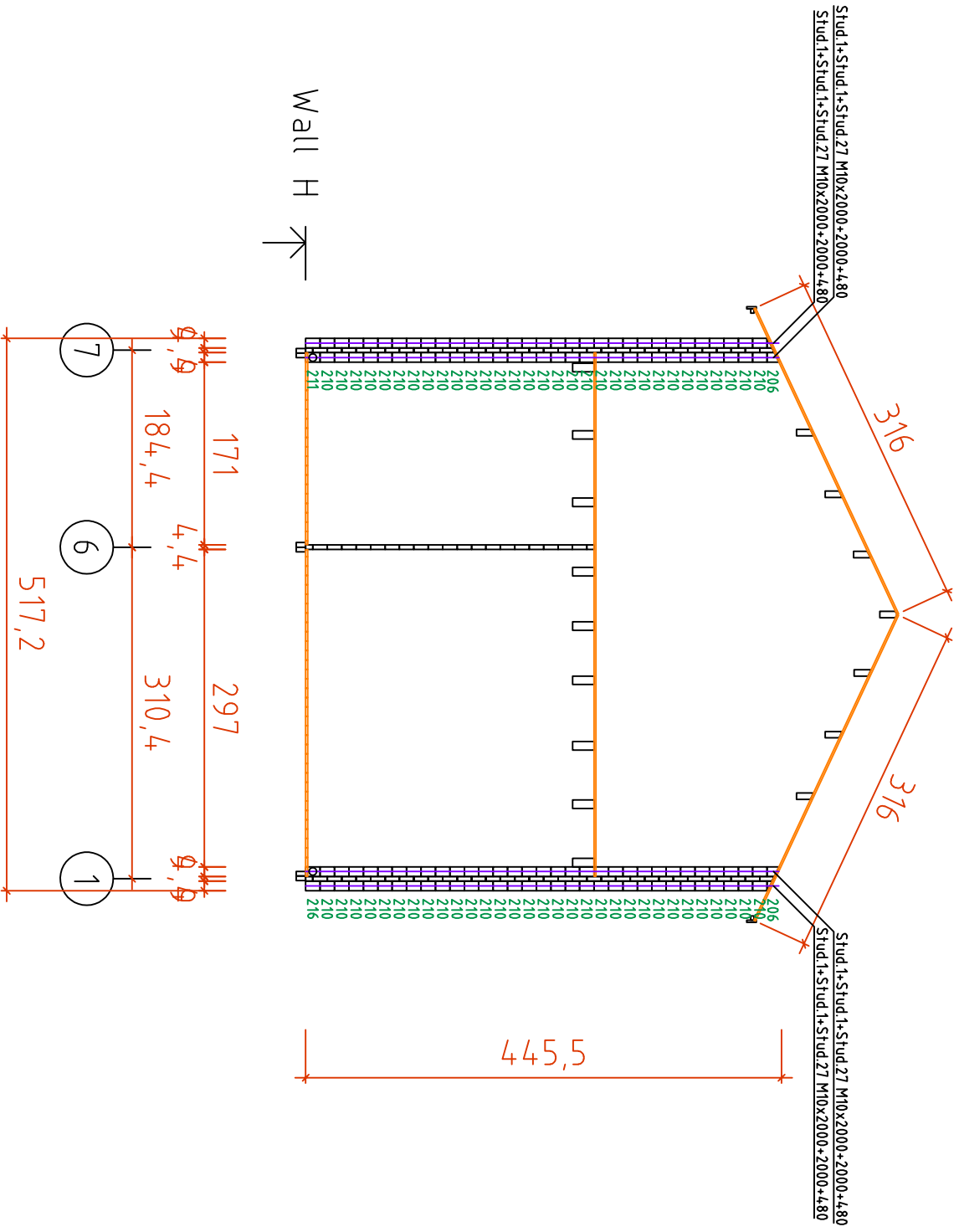
Code	Girona_Ayegui 44+90		Page	1/6	22.09.020
Drawing	Plan Purl in		Scale	1:100	
File	Wall_44+90 Ayegui-4.dwg				



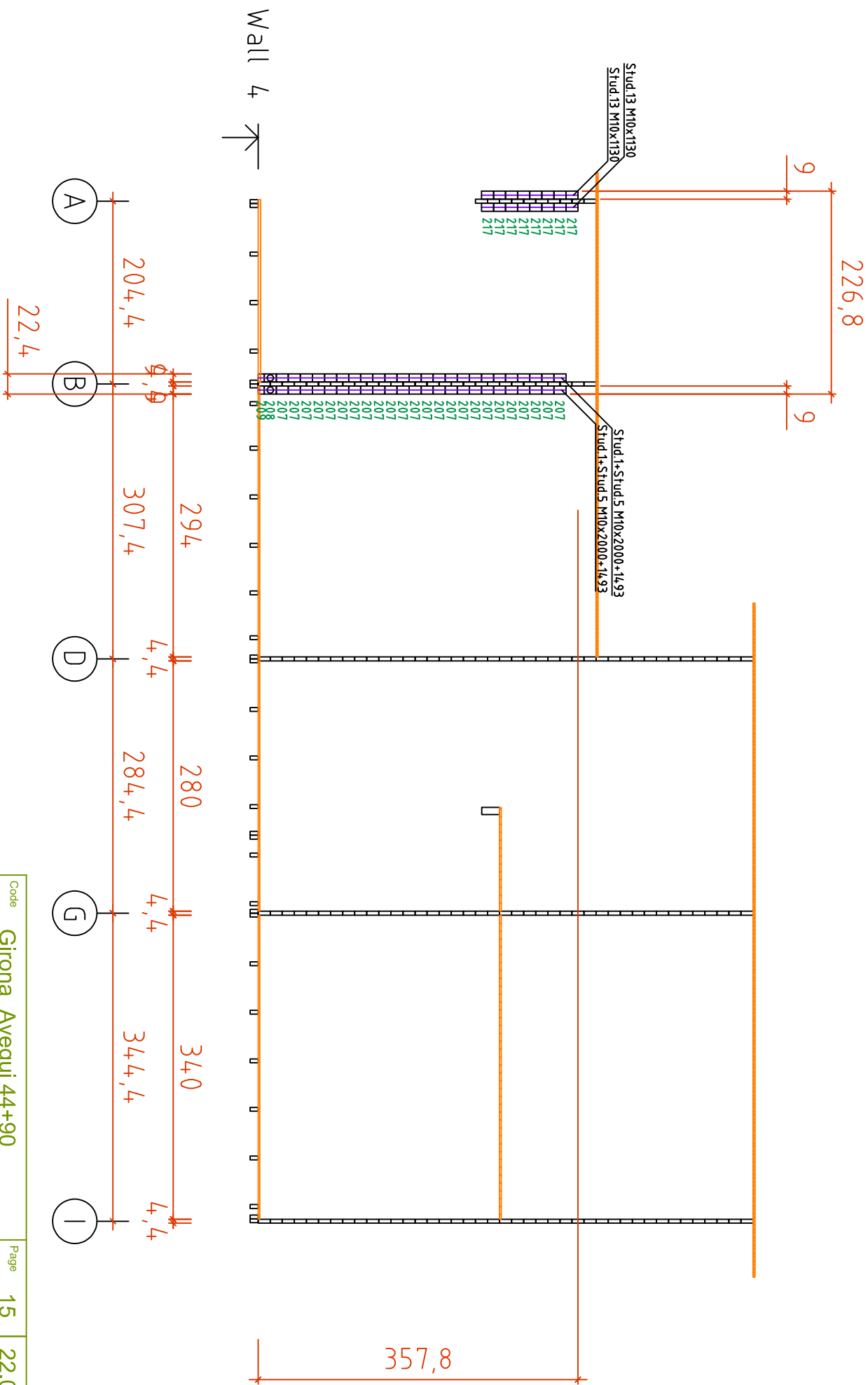
Code	Girona_Ayegui 44+90		Page	2	22.09.020
Drawing	WALL A		Scale	1:100	
File	Wall_44+90		File	Ayegui-4.dwg	



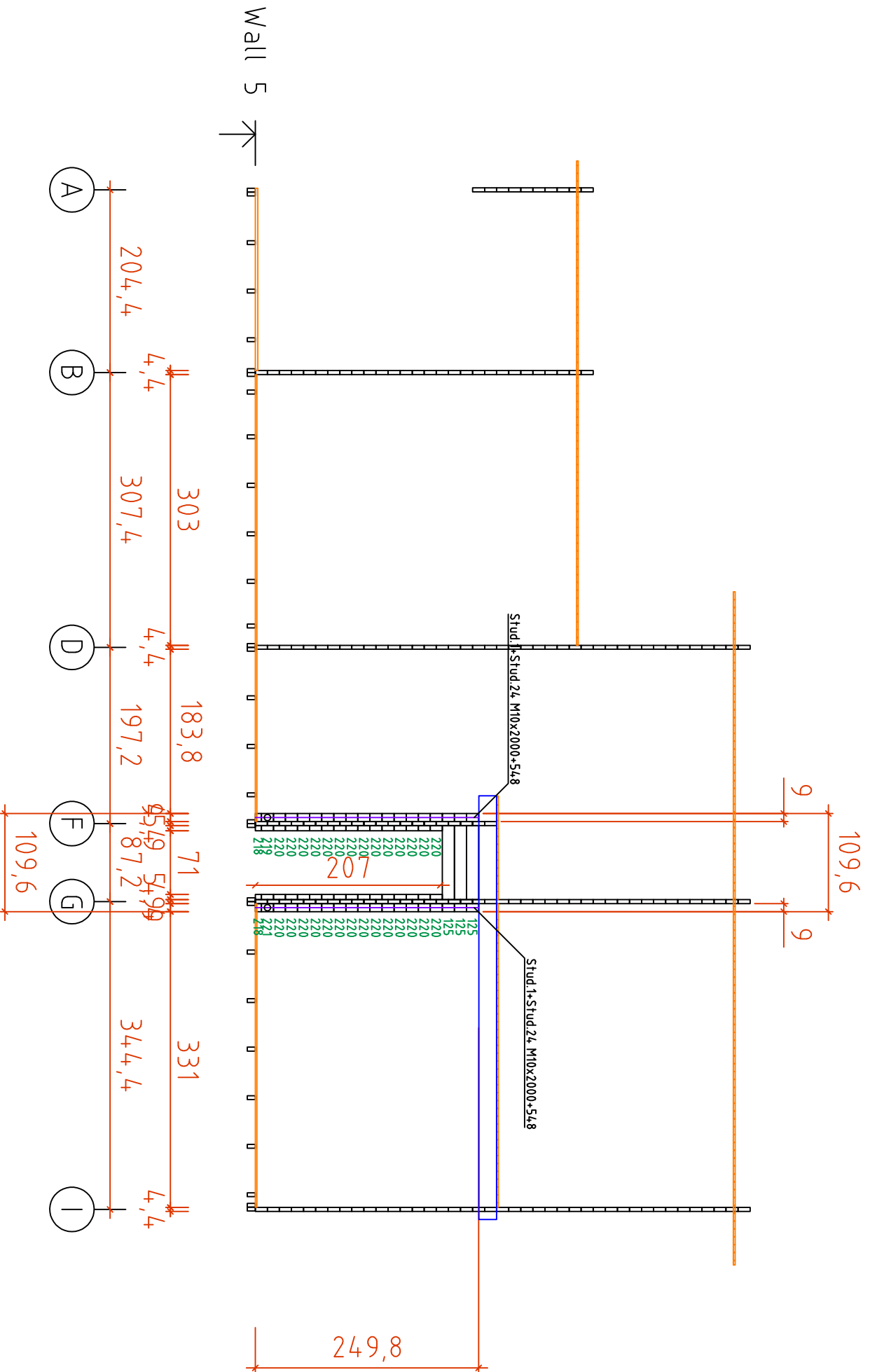
Code	Girona_Ayegui 44+90		Page	4	22.09.020
Drawing	WALL C		Scale	1:100	
File	Wall_44+90		File	Ayegui-4.dwg	



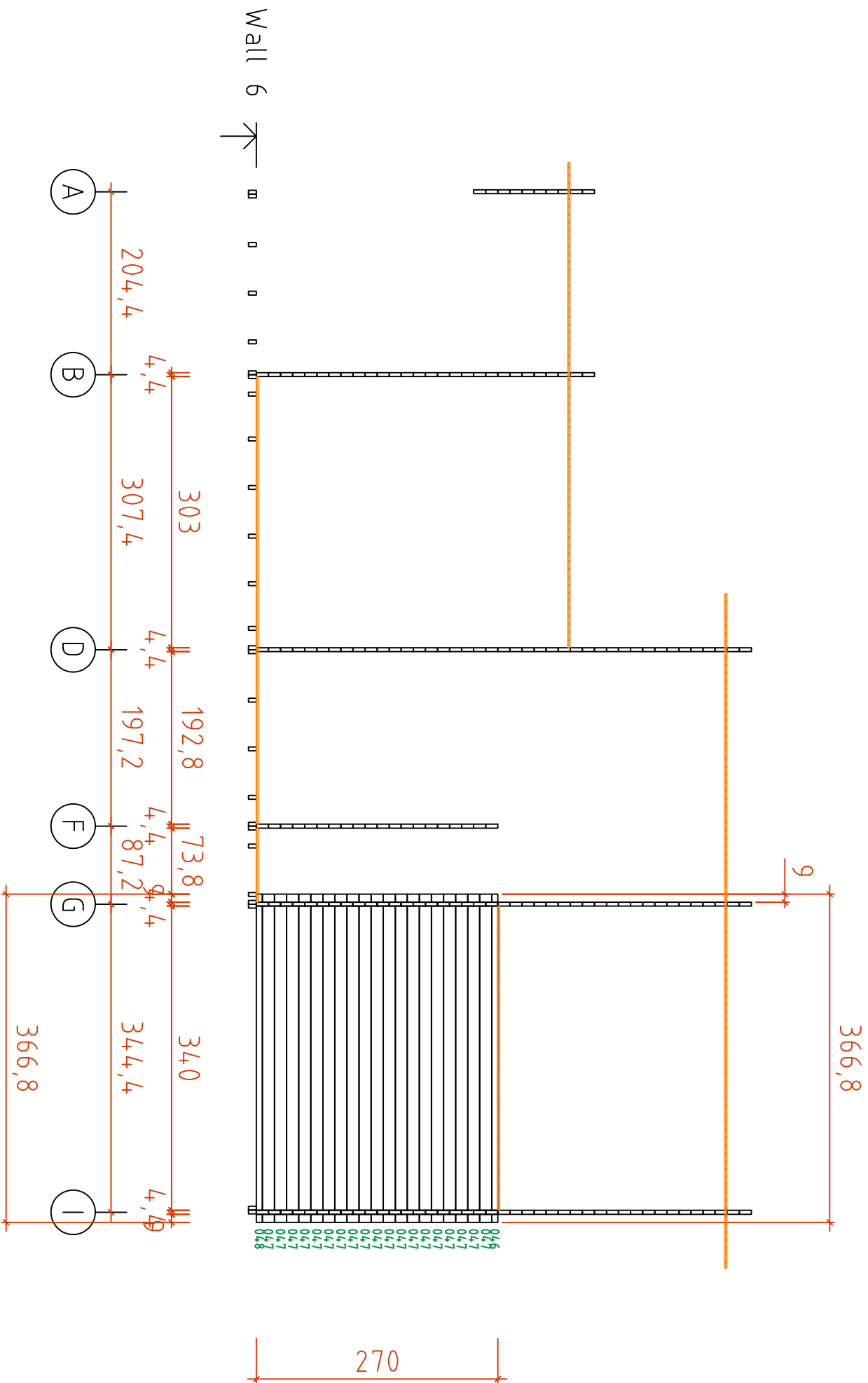
Code	Girona_Ayegui 44+90		Page	9	22.09.020
Drawing	WALL H		Scale	1:100	
File	Ayegui-4.dwg				



Code	Girona_Ayegui 44+90		Page	15	22.09.020
Drawing	WALL 4		Scale	1:100	
File	Wall_44+90		File	Ayegui-4.dwg	



Code	Girona_Ayegui 44+90		Page	16	22.09.020
Drawing	WALL 5		Scale	1:100	
File	Wall_44+90		File	Ayegui-4.dwg	



Code	Girona_Ayegui 44+90		Page	17	22.09.020
Drawing	WALL 6		Scale	1:100	
File	Wall_44+90		Ayegui-4.dwg		

