

Code Wendy 44+90+19

Page 1

15.03.017

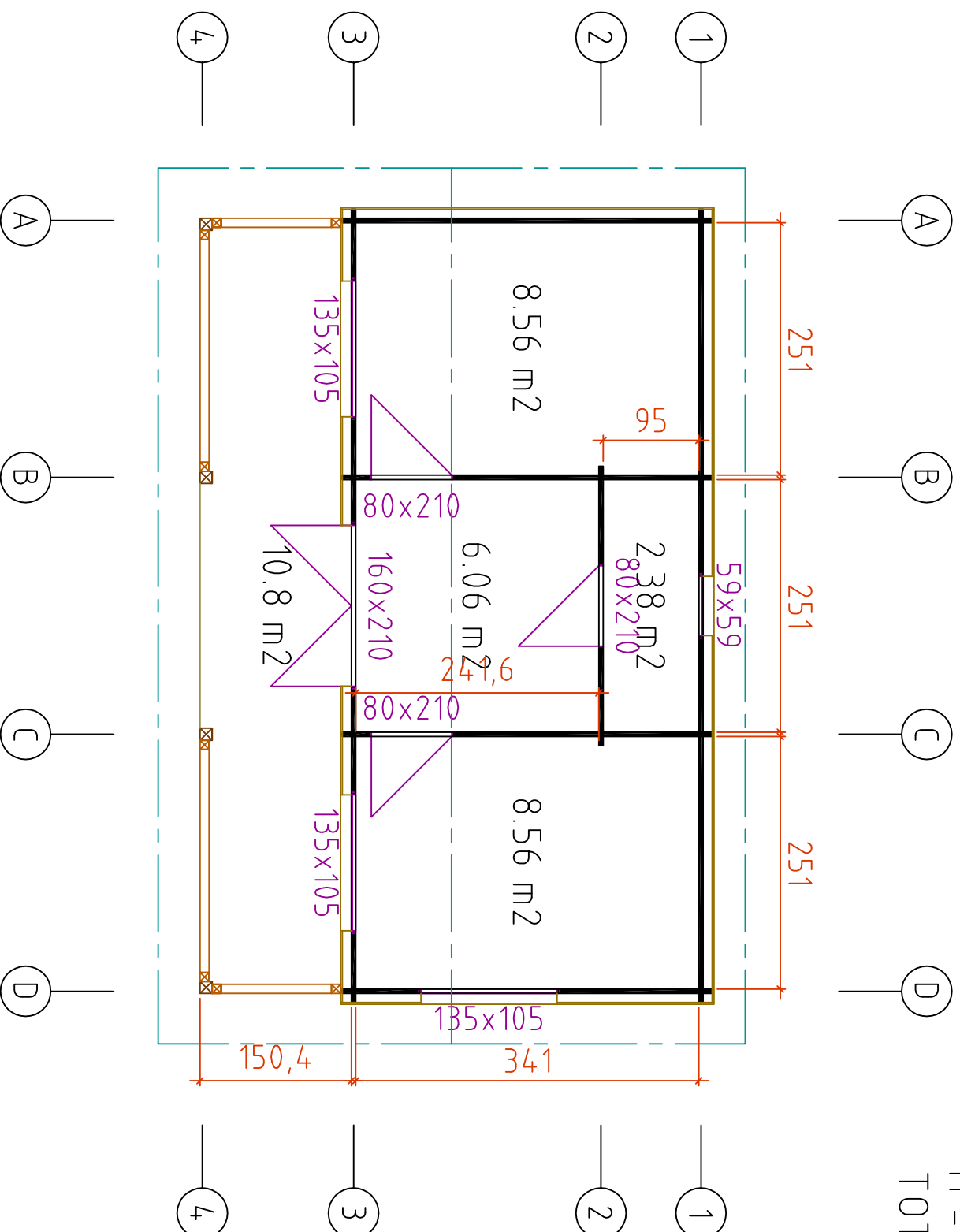
Drawing 3D

Scale 1:100

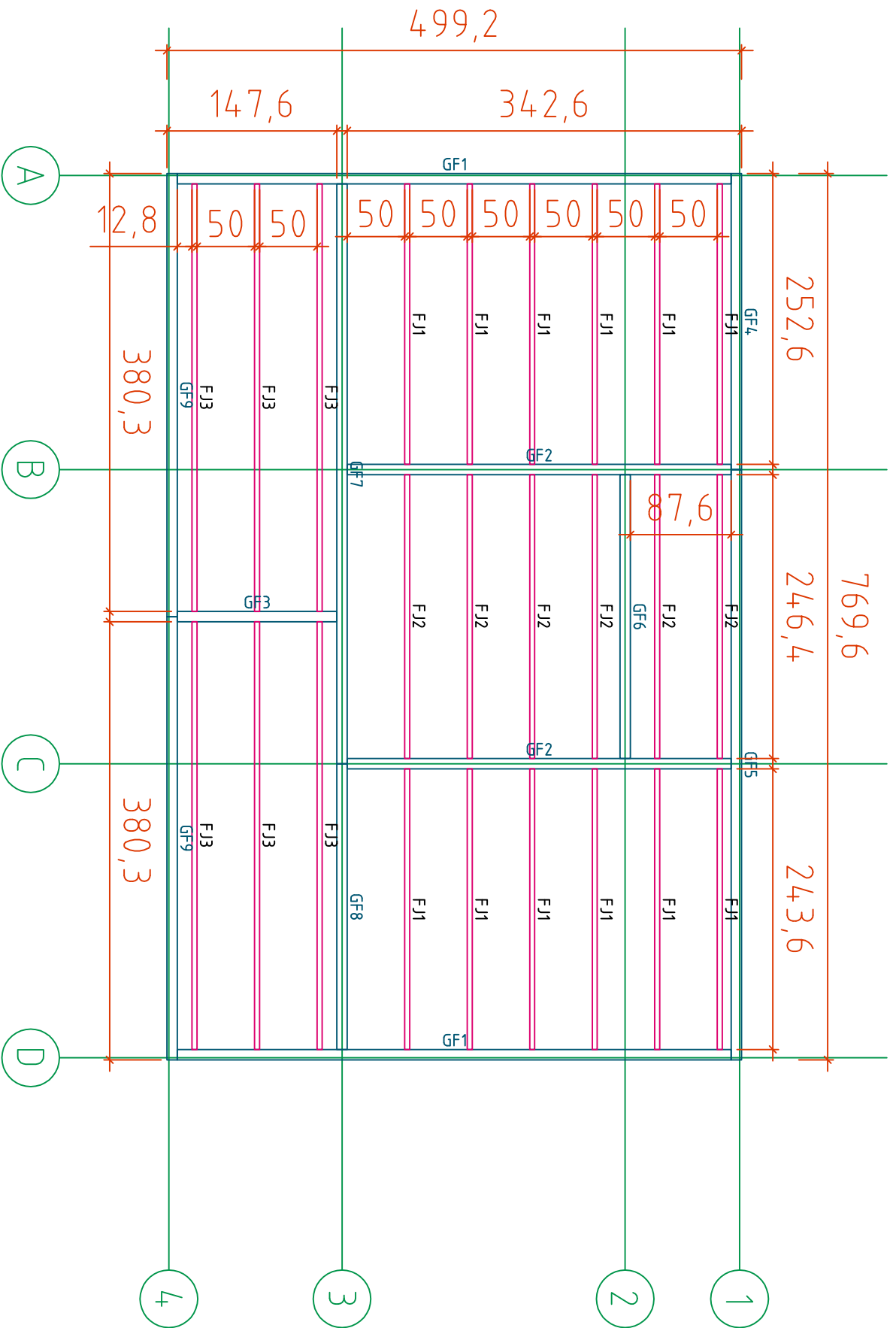
Wall_44+90+19

File Wendy 44+90+19_3D.dwg

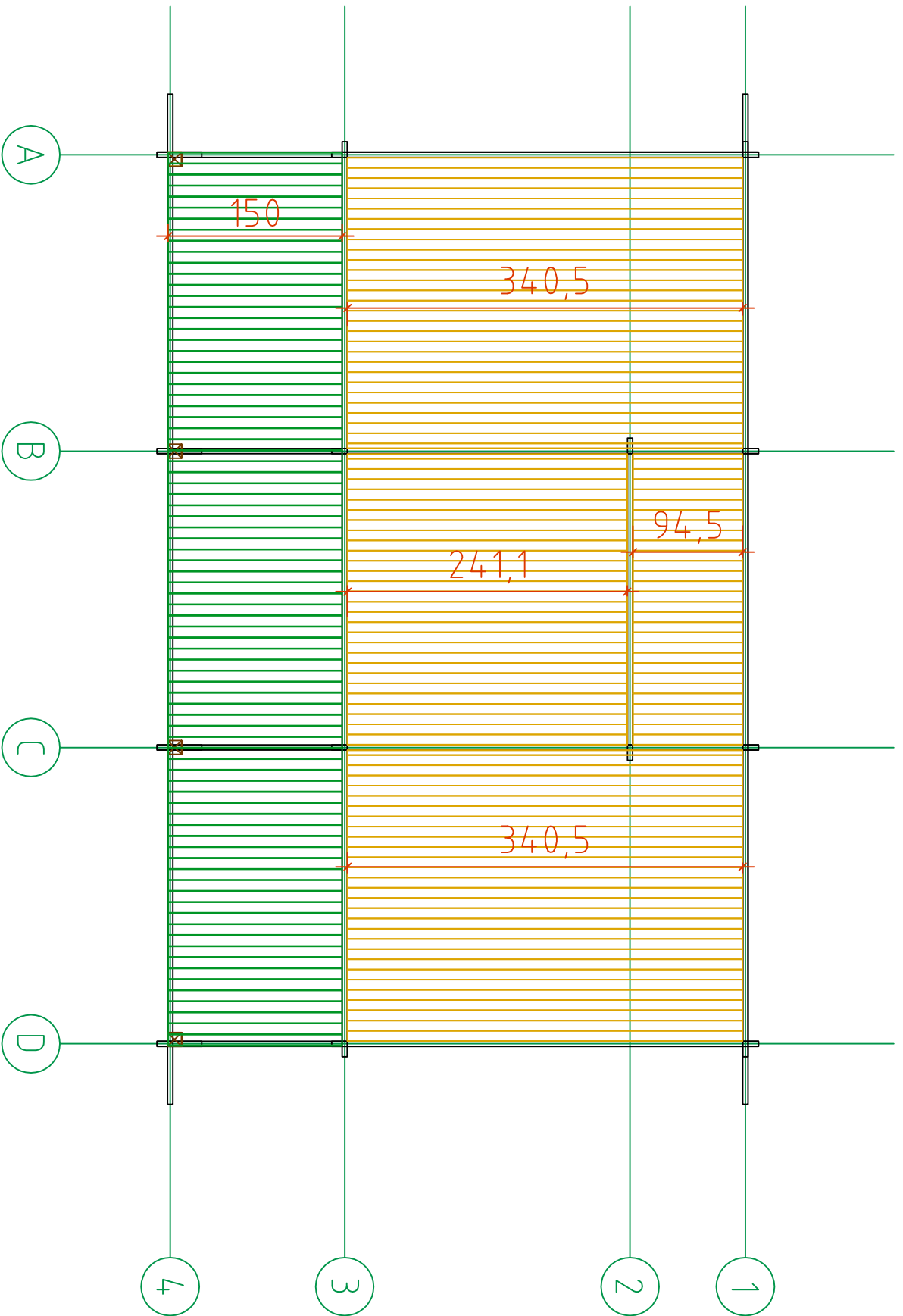
H = 1.500 m
 TOTAL: 36.55 m²



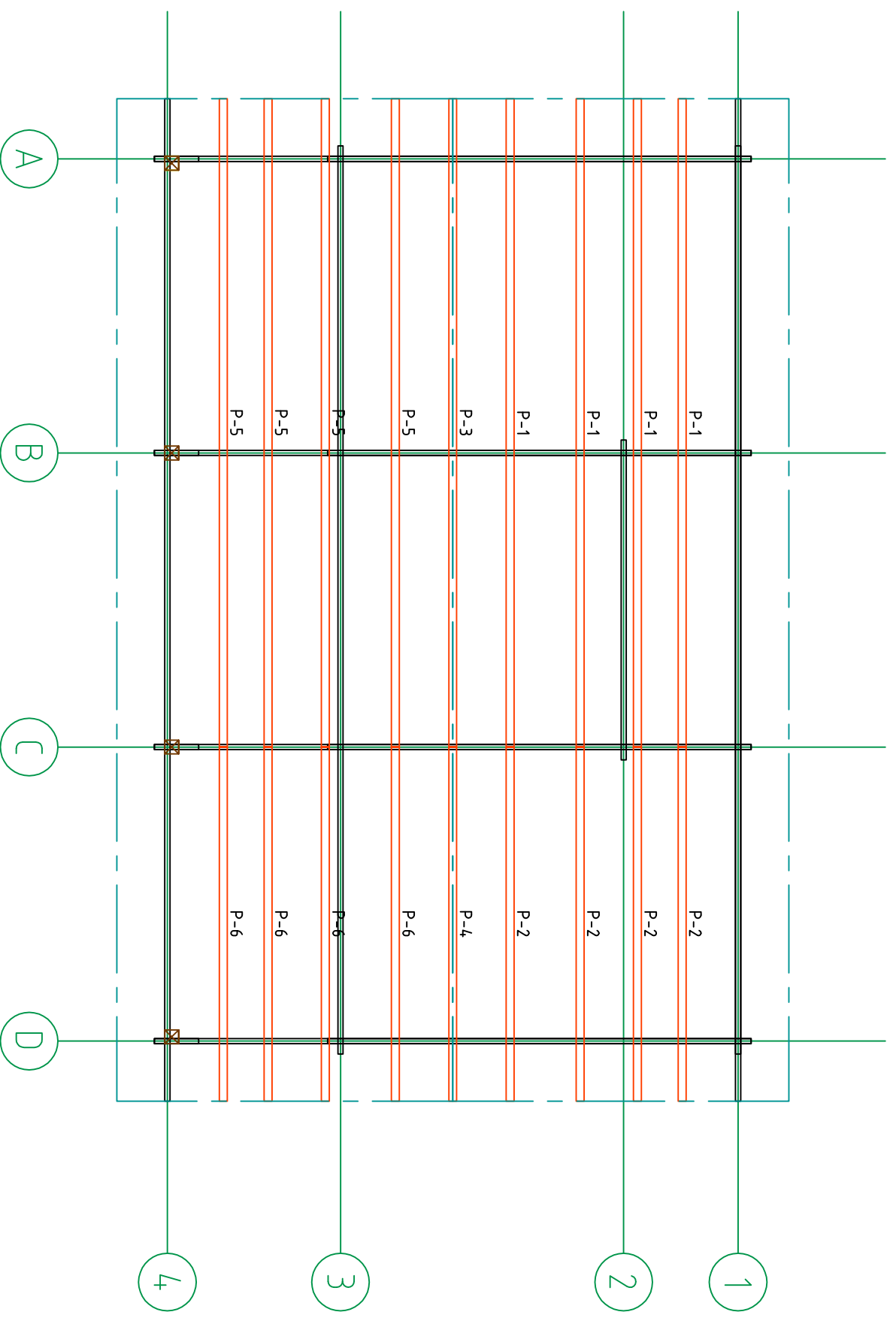
Code	Wendy 44+90+19		Page	1	15.03.017
Drawing	Plan		Scale	1:100	
File	Wall_44+90+19	File	Wendy 44+90+19.dwg		



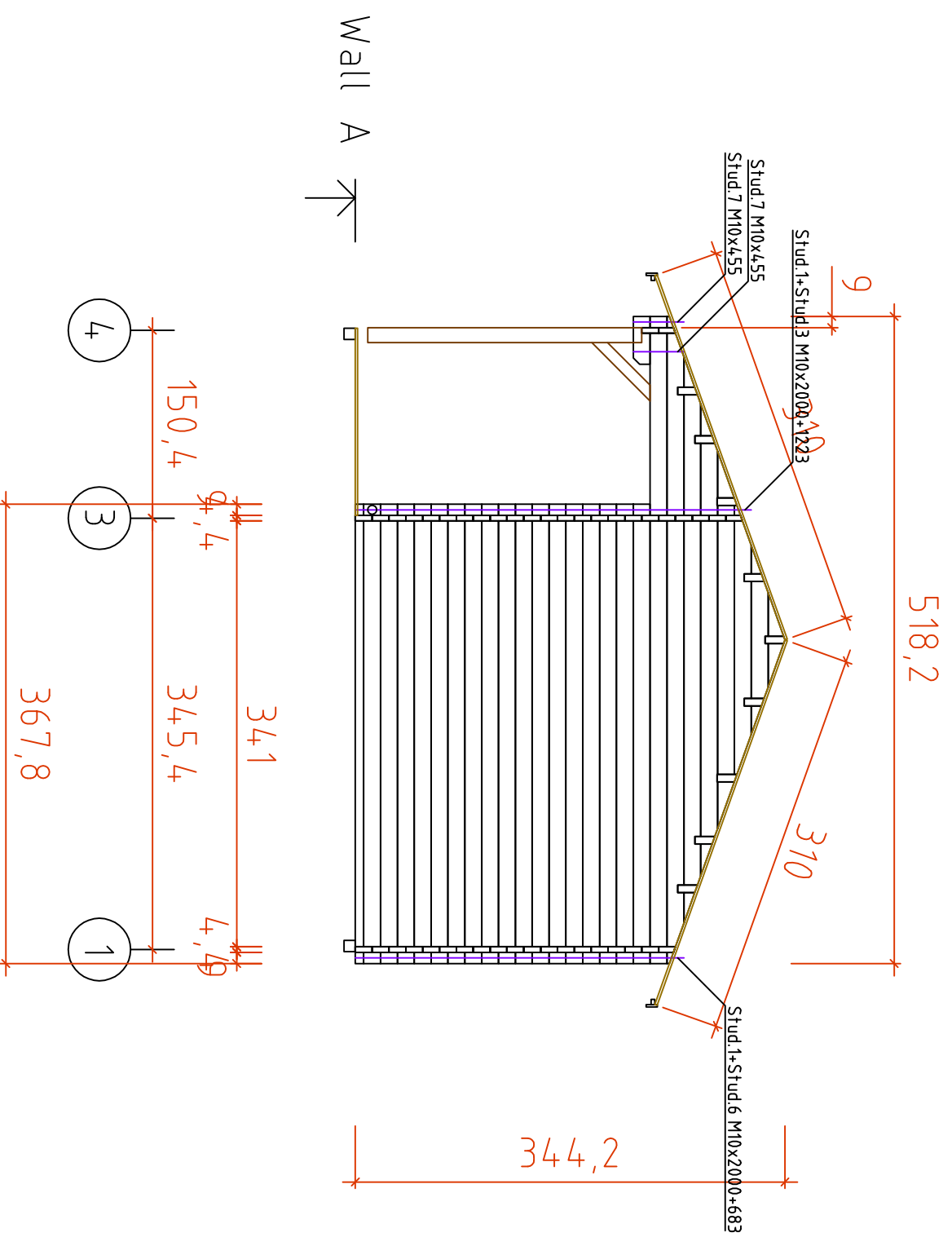
Code	Wendy 44+90+19		Page	1/1	Scale	15.03.017
Drawing	Plan Ground frame		File	Wendy 44+90+19.dwg		
Wall_44+90+19						



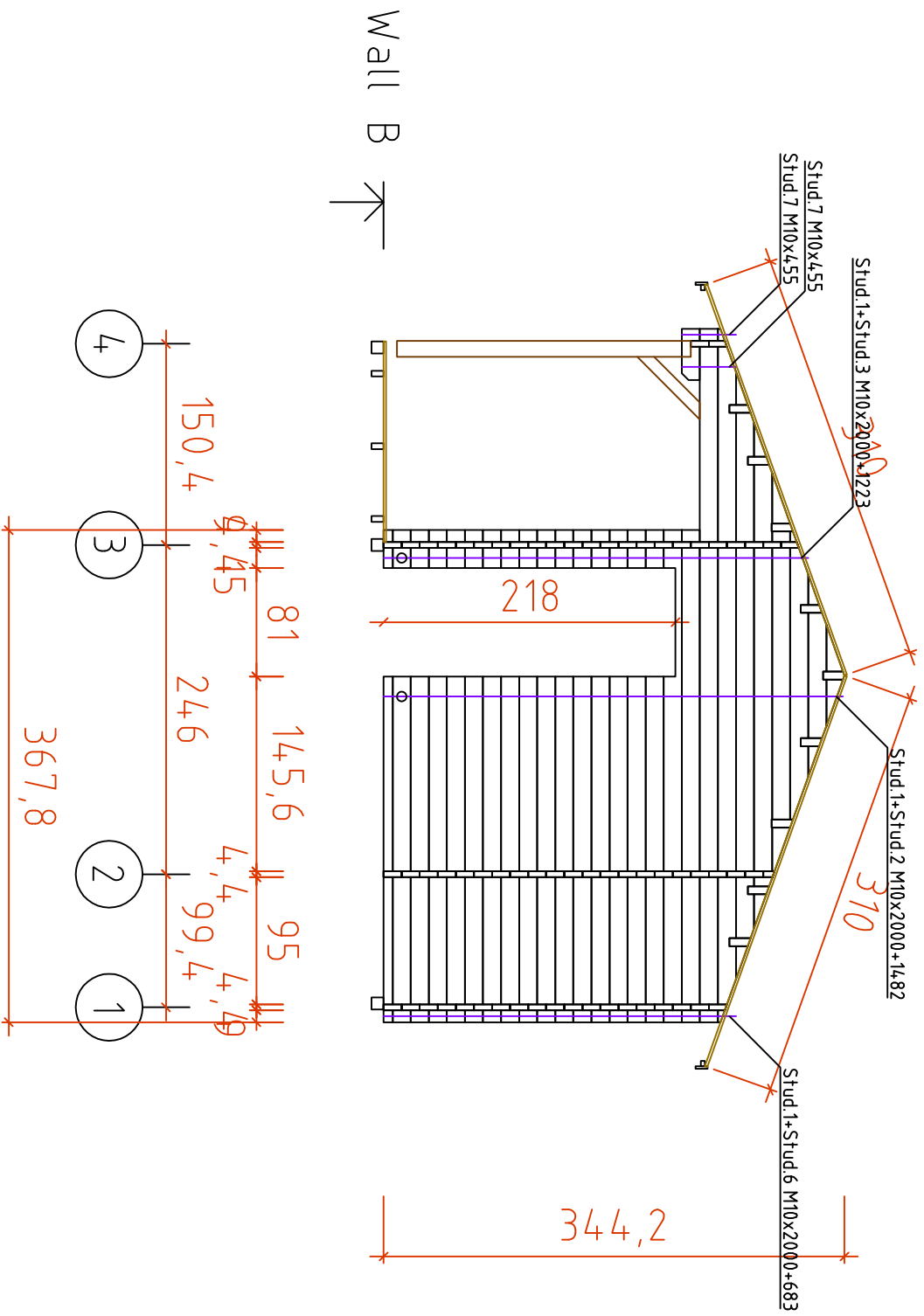
Code	Wendy 44+90+19		Page	1/2	15.03.017
Drawing	Plan Floor board		Scale	1:100	
File	Wall_44+90+19	Wendy 44+90+19.dwg			



Code	Wendy 44+90+19		Page	1/3	15.03.017
Drawing	Plan Purl in		Scale	1:100	
File	Wendy 44+90+19.dwg				

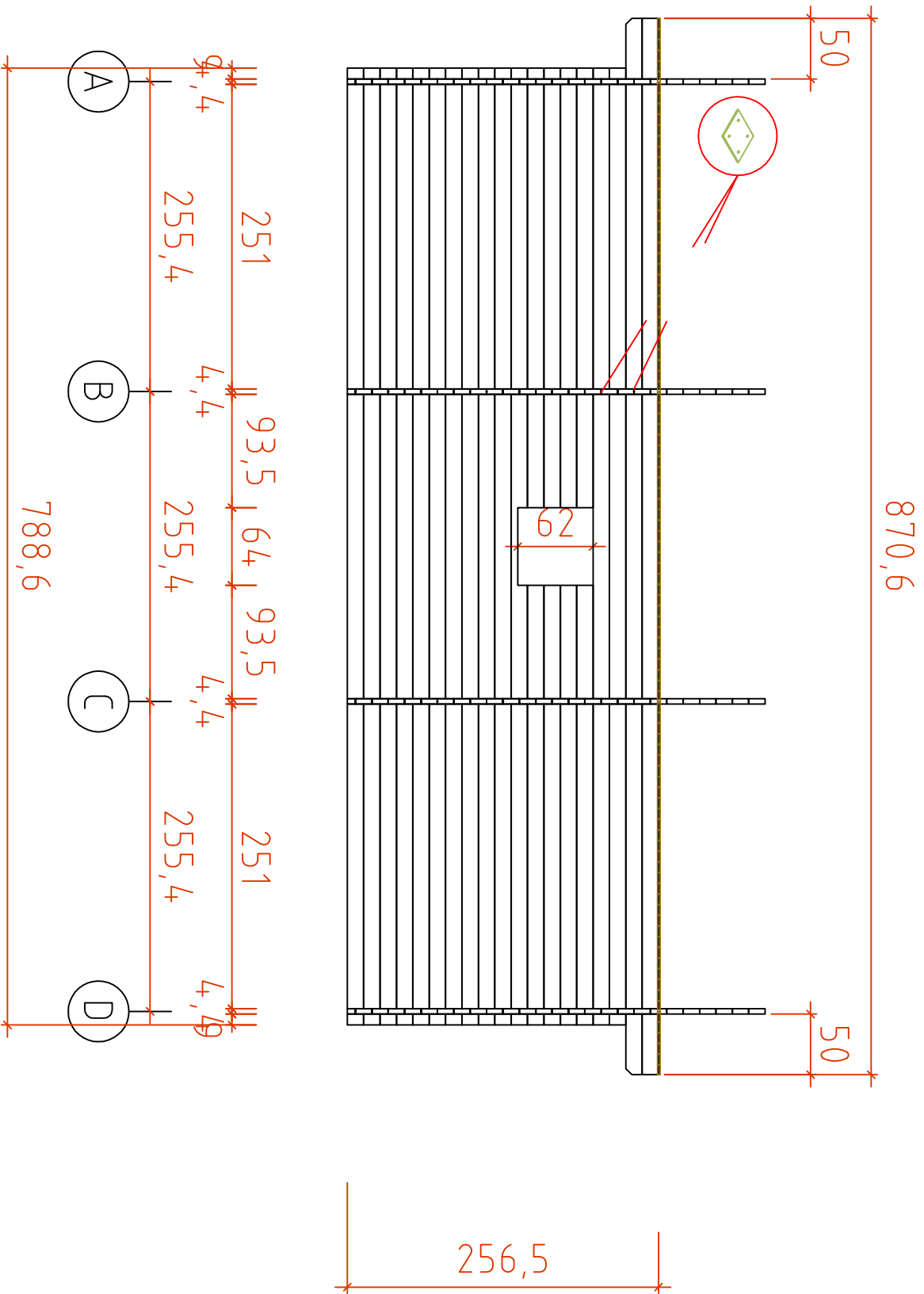


Code	Wendy 44+90+19		Page	2	15.03.017
Drawing	WALL A		Scale	1:100	
File	Wall_44+90+19	File	Wendy 44+90+19.dwg		

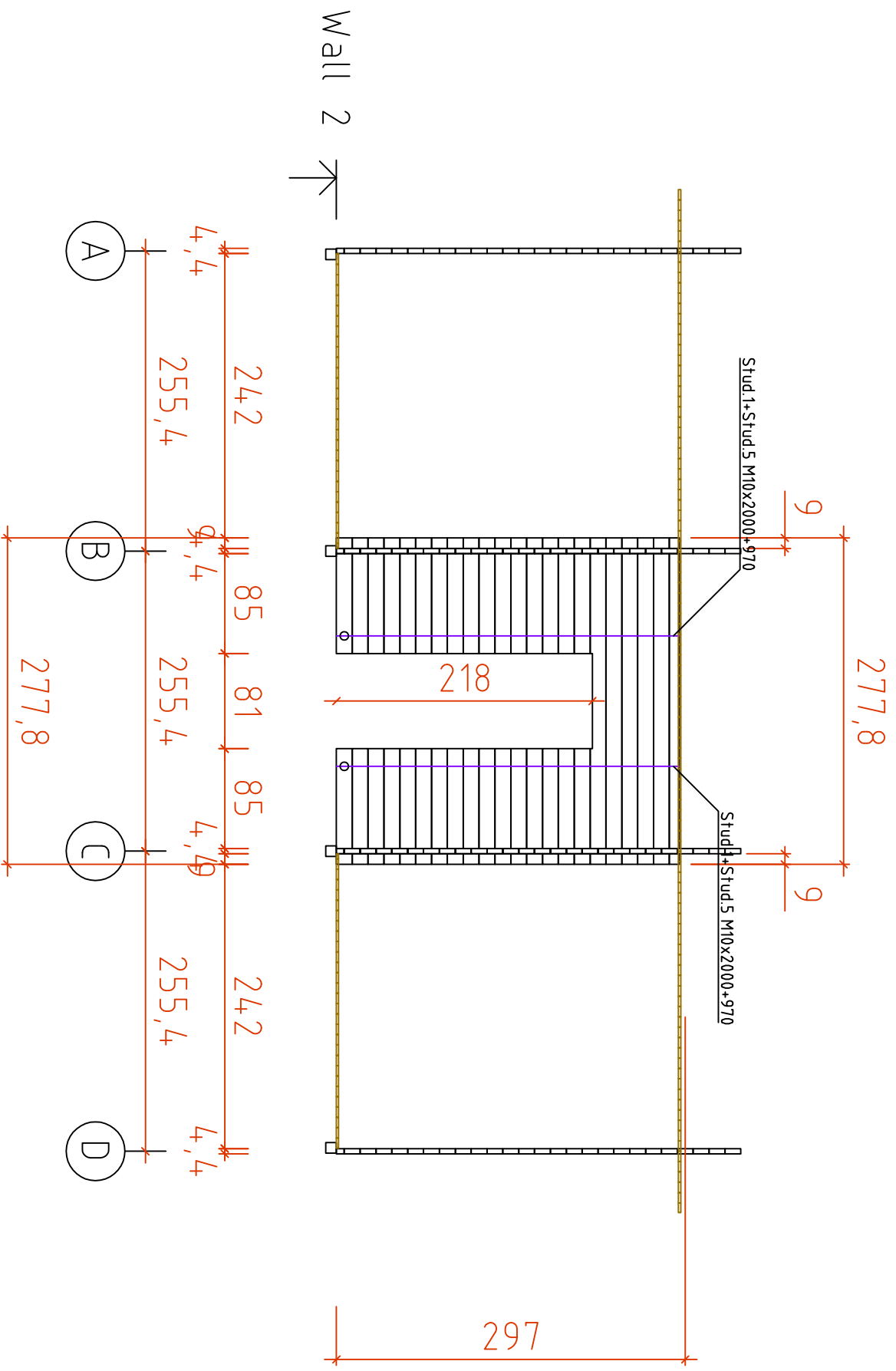


Code	Wendy 44+90+19		Page	3	15.03.017
Drawing	WALL B		Scale	1:100	
File	Wall_44+90+19	Wendy 44+90+19.dwg			

Wall 1 ↗

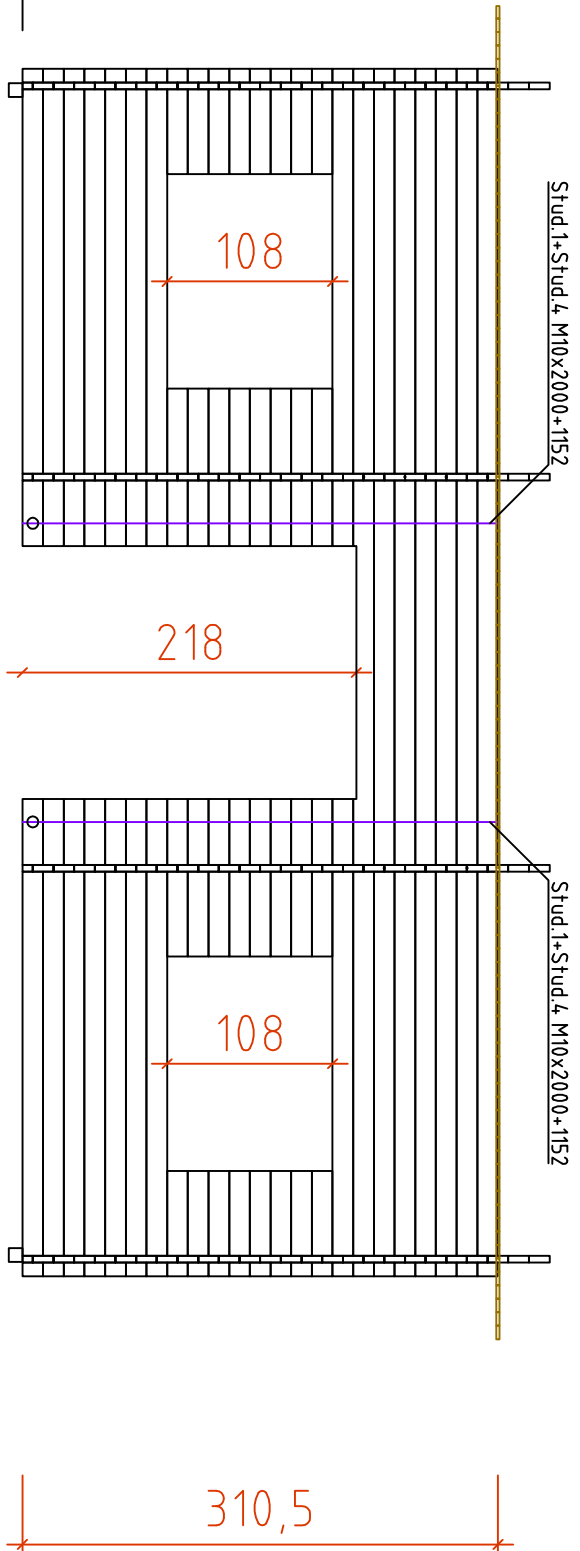


Code	Wendy 44+90+19		Page	6	15.03.017
Drawing	WALL 1		Scale	1:100	
File	Wall_44+90+19		File	Wendy 44+90+19.dwg	

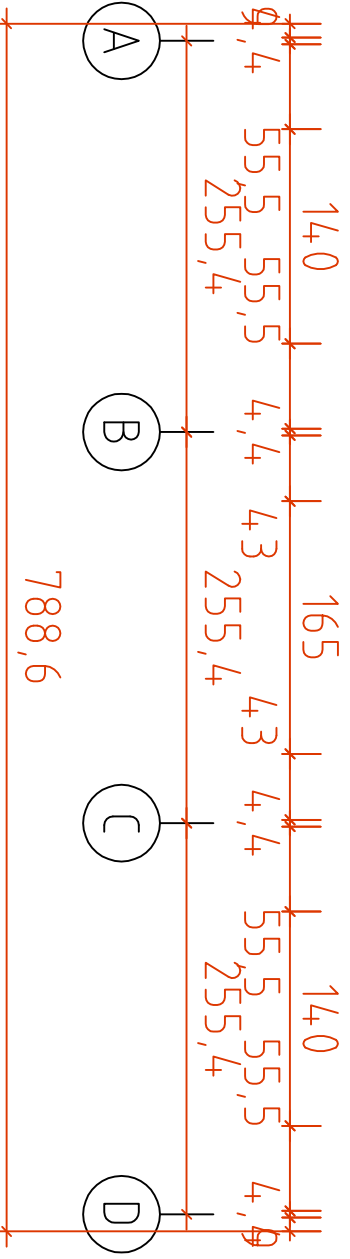


Wall 2

Code	Wendy 44+90+19		Page	7	15.03.017
Drawing	WALL 2		Scale	1:100	
File	Wendy 44+90+19.dwg				

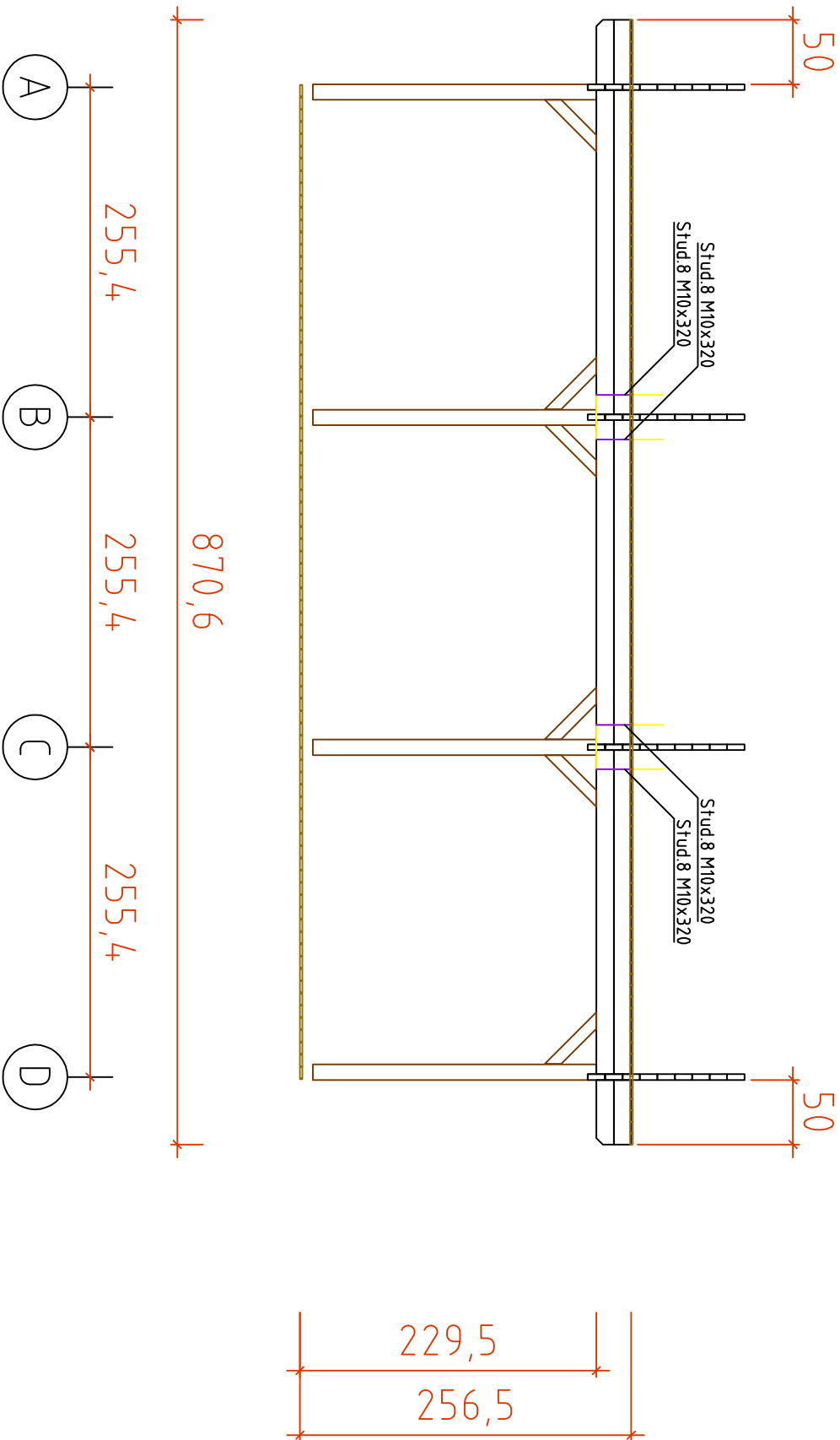


Wall 3



Code	Wendy 44+90+19		Page	8	15.03.017
Drawing	WALL 3		Scale	1:100	
File	Wall_44+90+19		File	Wendy 44+90+19.dwg	

Wall 4 ↗



Code	Wendy 44+90+19		Page	9	15.03.017
Drawing	WALL 4		Scale	1:100	
File	Wall_44+90+19		Wendy 44+90+19.dwg		