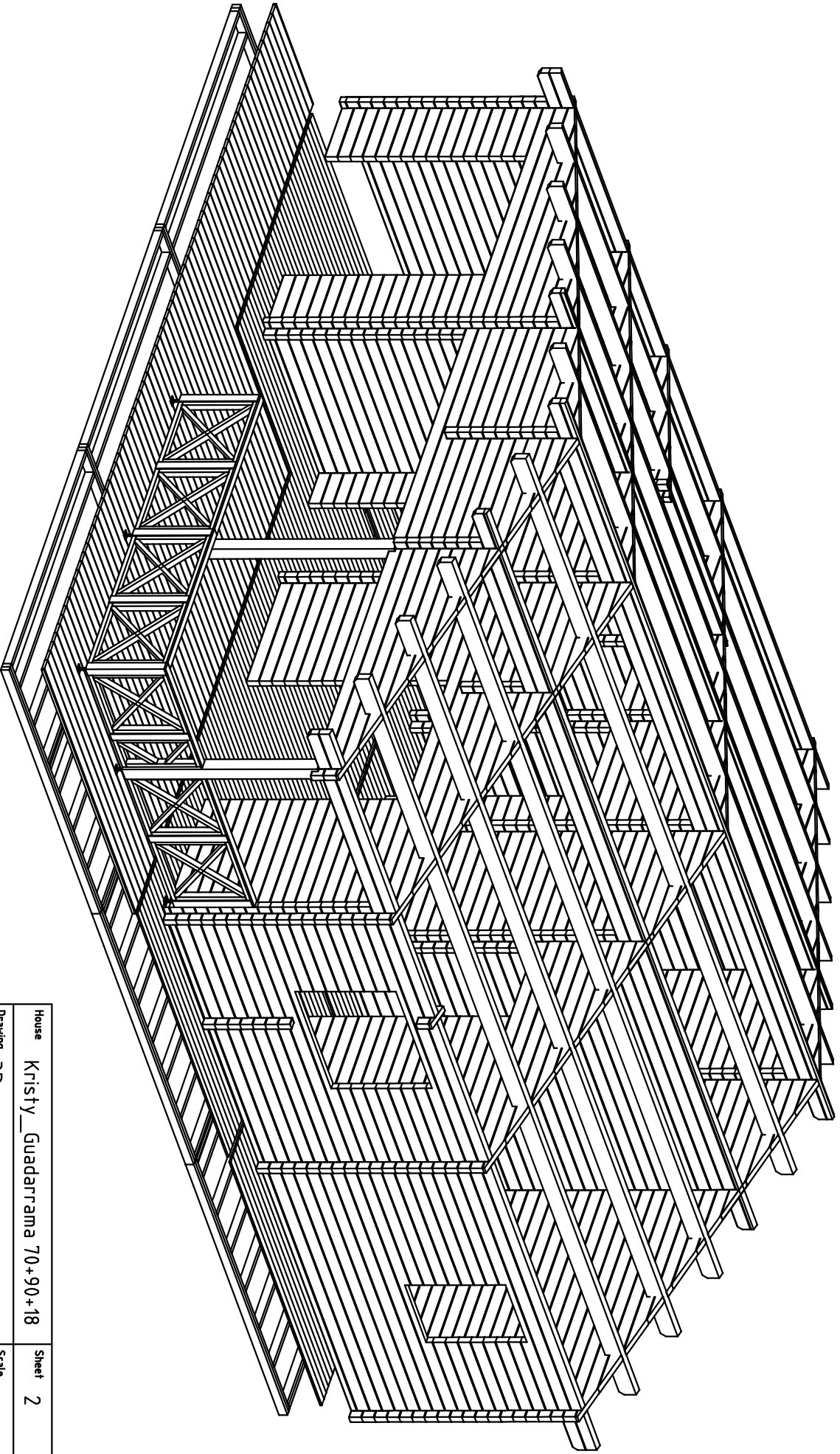
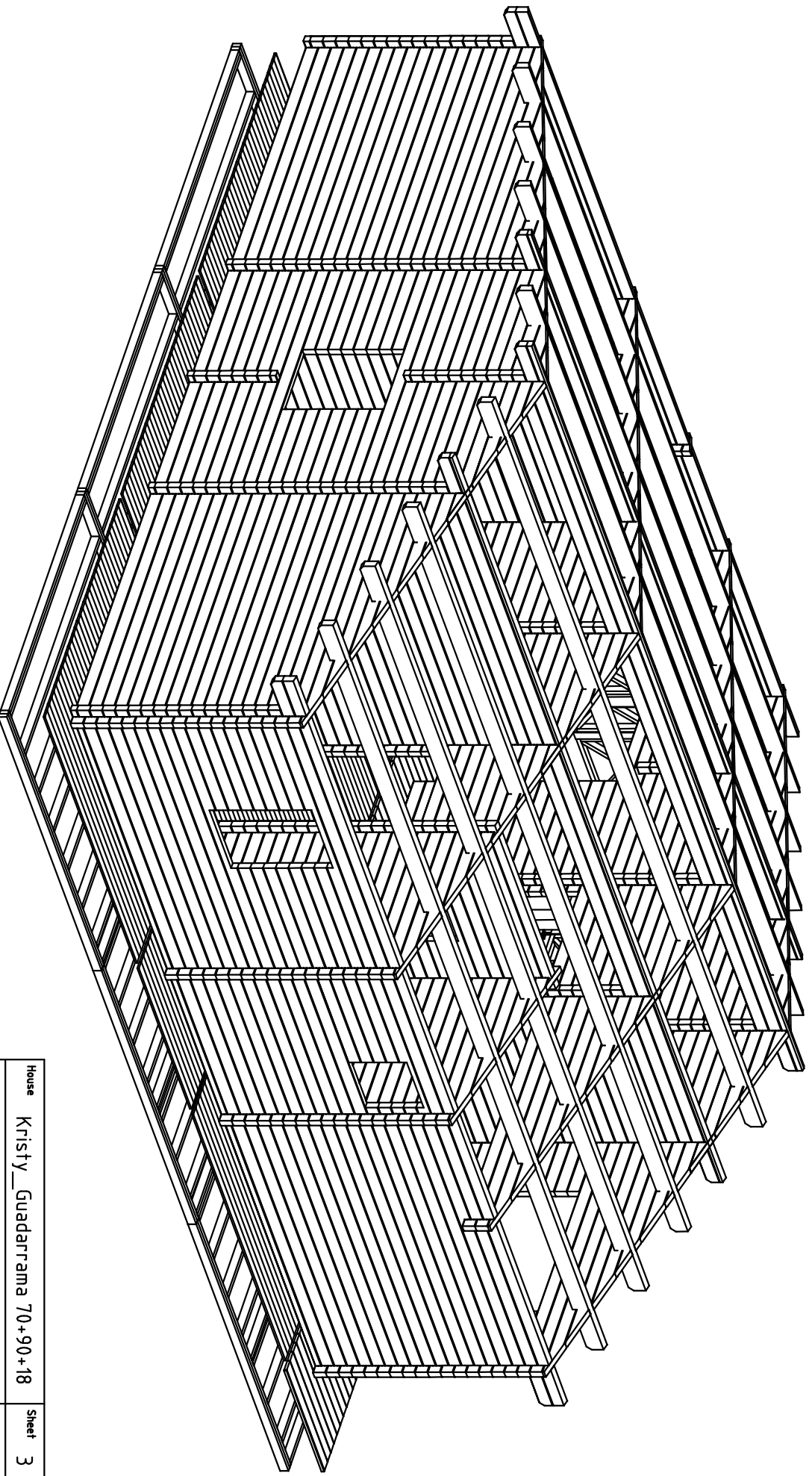


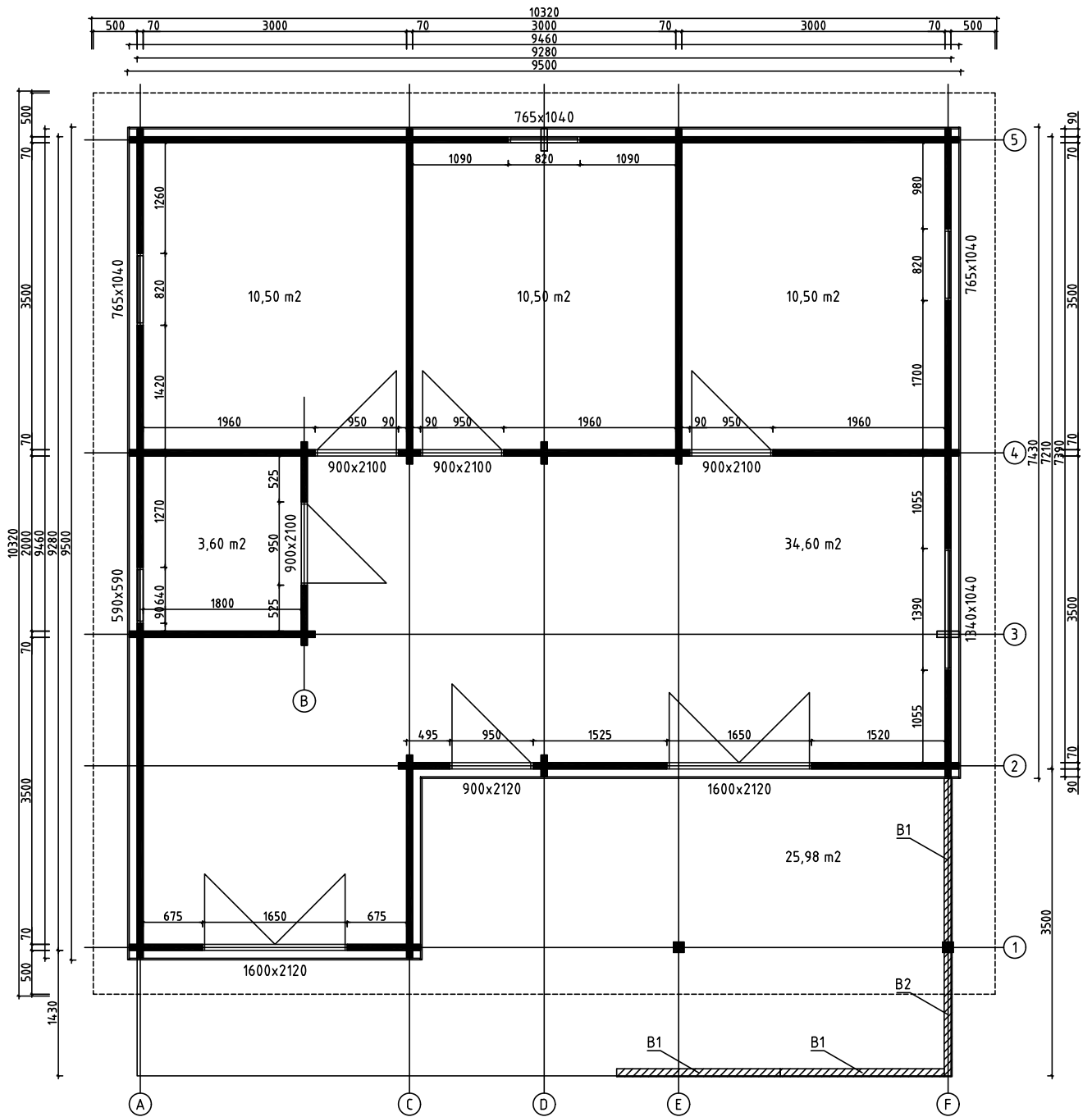
House	Kristiy_Guadarrama 70+90+18	Sheet	1
Drawing	3D	Scale	
Material	70x135	Date	11.03.2022
Drawer	RP	File	Kristiy_Guadarrama 70+90+18 3D.dwg



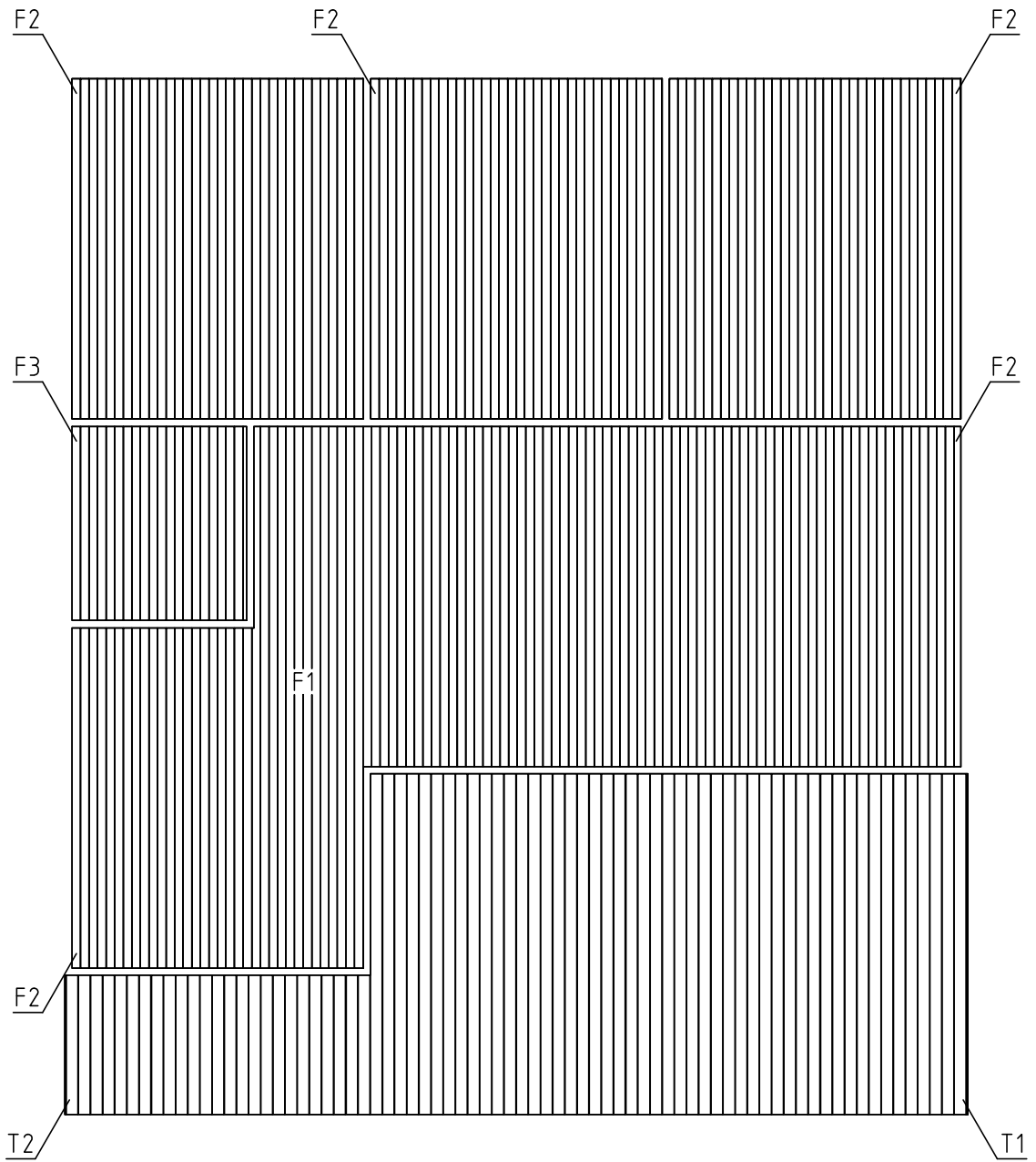
House	Kristiy_Guadarrama 70+90+18	Sheet	2
Drawing	3D	Scale	
Material	70x135	Date	11.03.2022
Drawer	RP	File	Kristiy_Guadarrama 70+90+18 3D.dwg



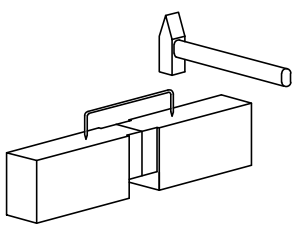
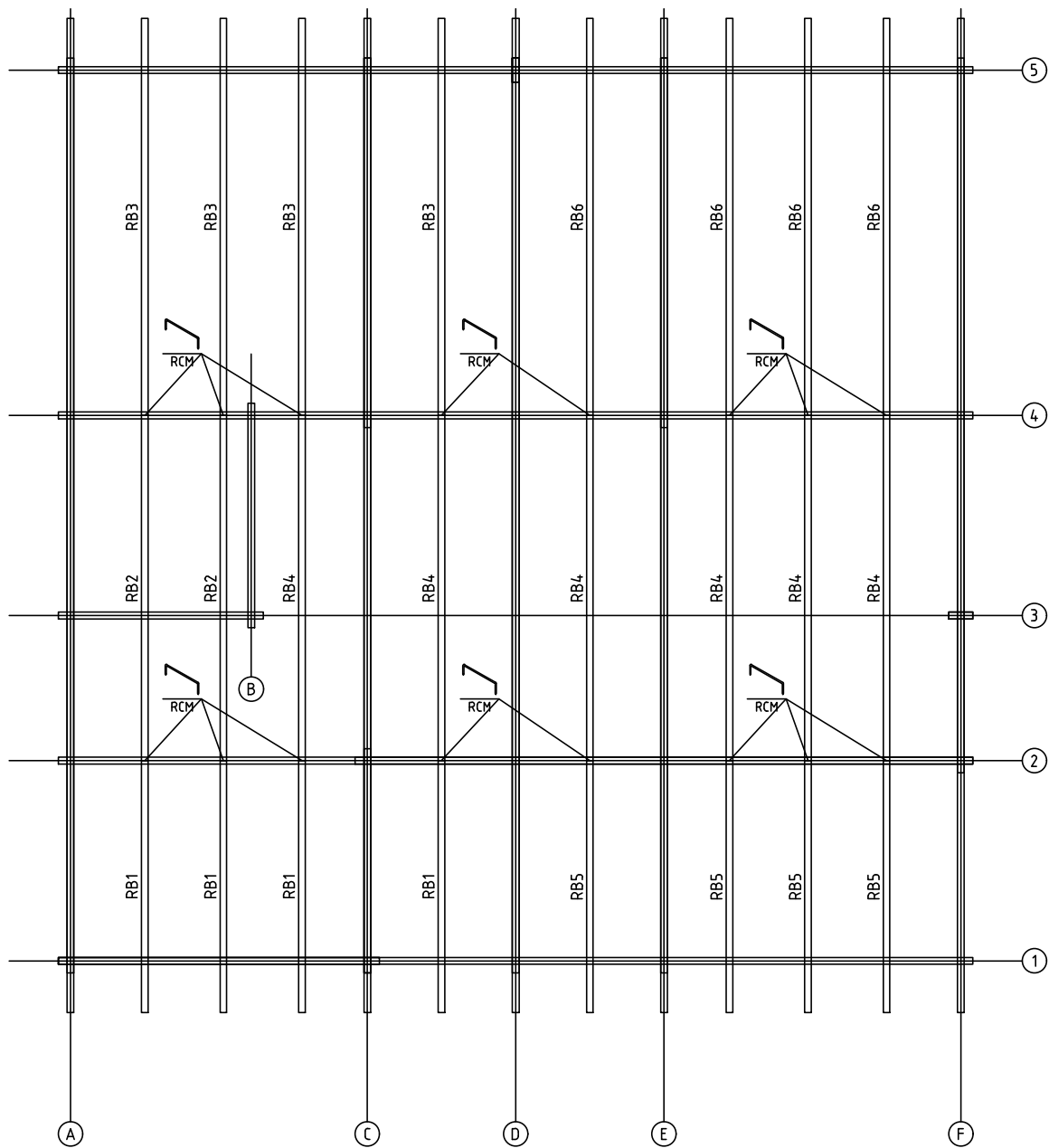
House	Kristiy_Guadarrama 70+90+18	Sheet	3
Drawing	3D	Scale	
Material	70x135	Date	11.03.2022
Drawer	RP	File	Kristiy_Guadarrama 70+90+18 3D.dwg



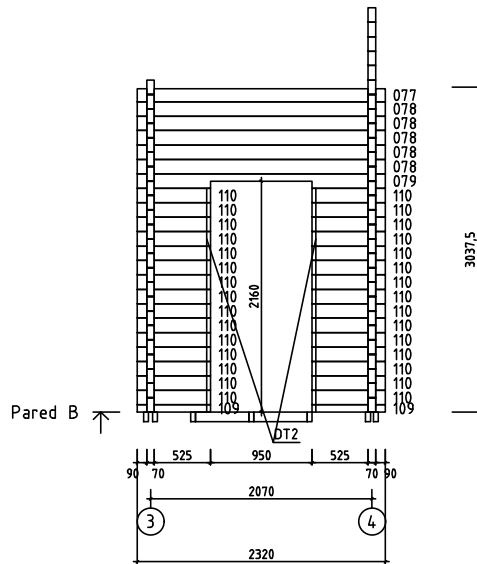
House	Kristy_Guadarrama 70+90+18	Sheet	4
Drawing	PLANO DE PLANTA	Scale	1:70
Material	70x135	Date	11.03.2022
Drawer	RP	File	Kristy_Guadarrama 70+90+18.dwg



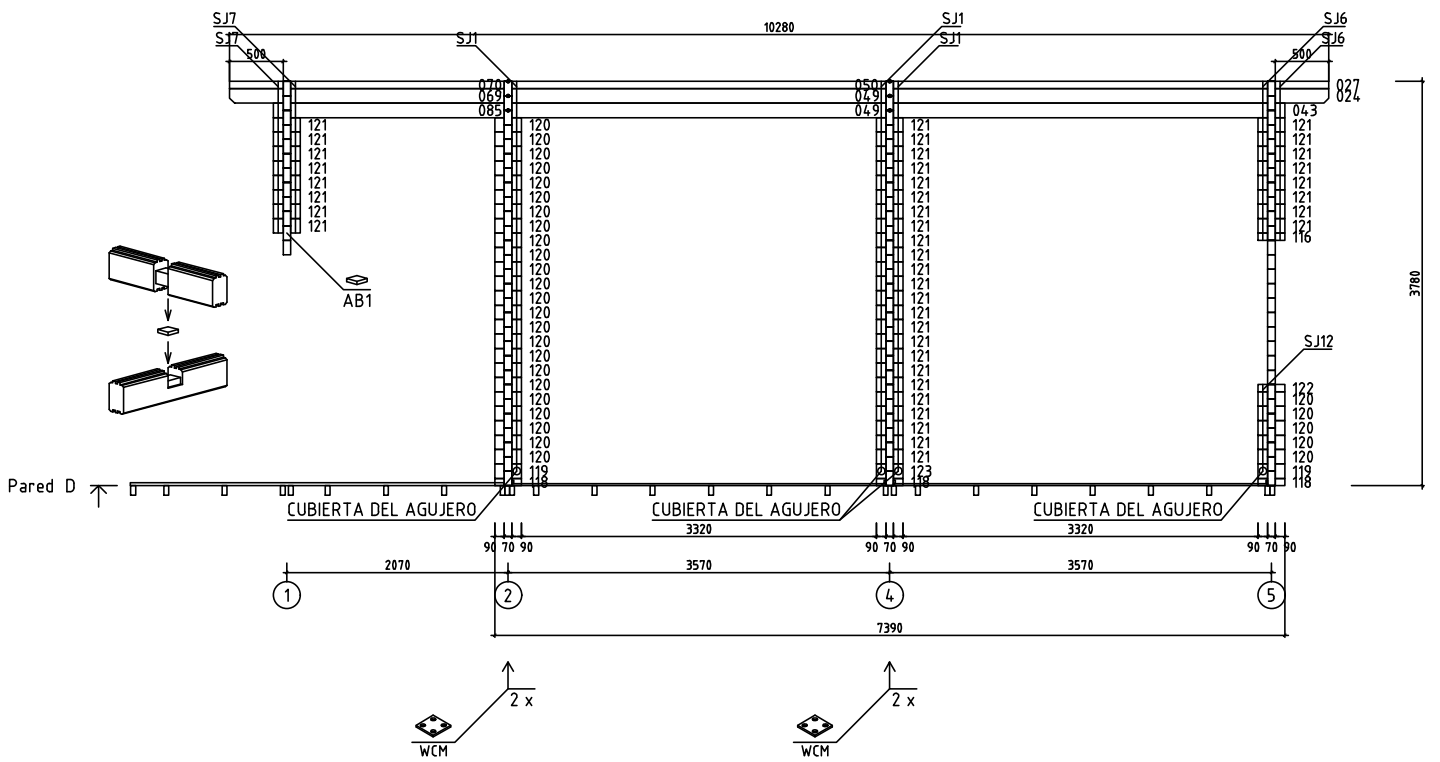
House	Kristy_Guadarrama 70+90+18	Sheet	6
Drawing	TABLAS DE SUELO	Scale	1:70
Material	18x88, 28x120	Date	11.03.2022
Drawer	RP	File	Kristy_Guadarrama 70+90+18.dwg



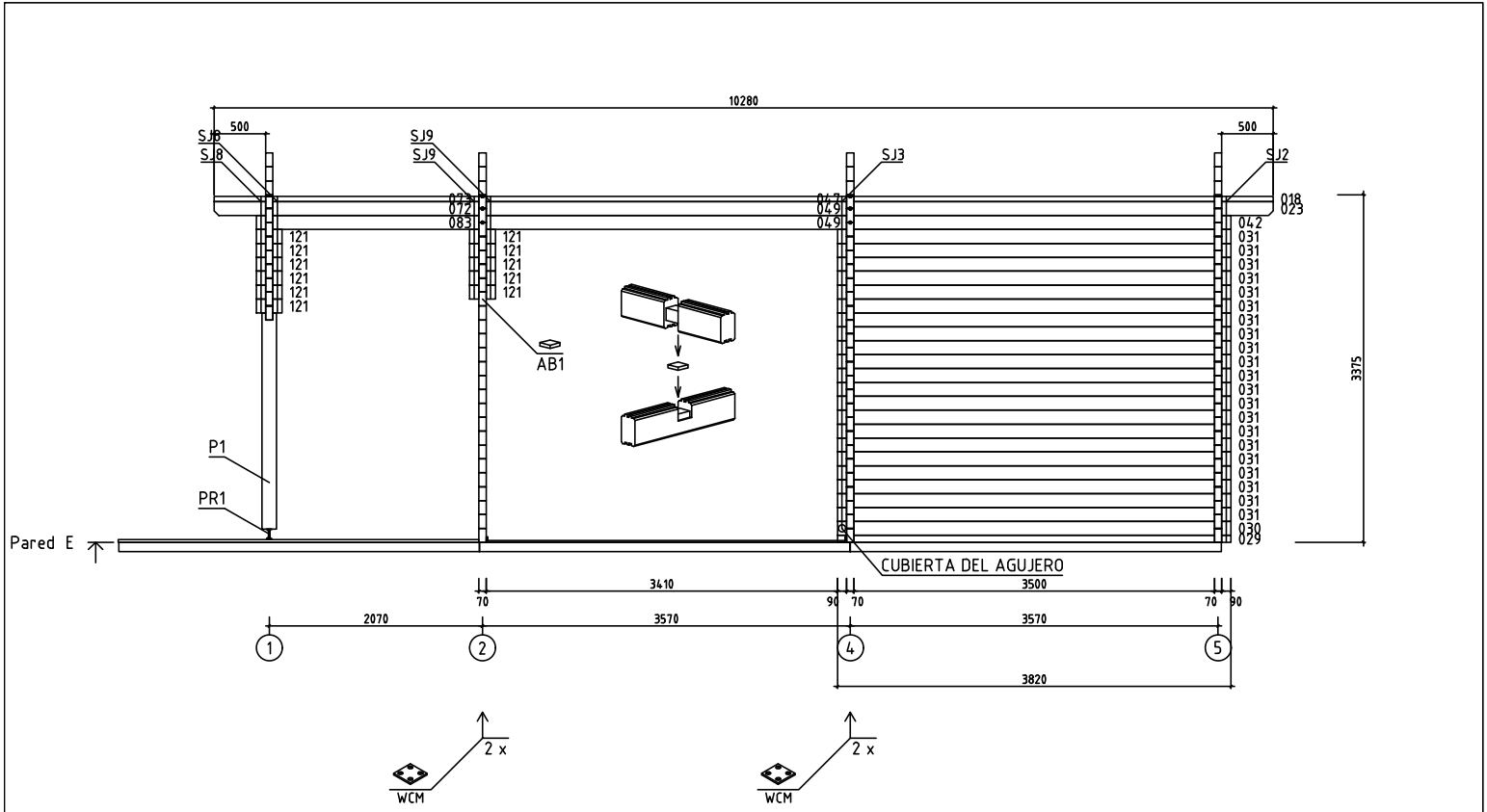
House	Kristy_Guadarrama 70+90+18	Sheet	7
Drawing	VIGA DE TEJADO	Scale	1:70
Material	68x190	Date	11.03.2022
Drawer	RP	File	Kristy_Guadarrama 70+90+18.dwg



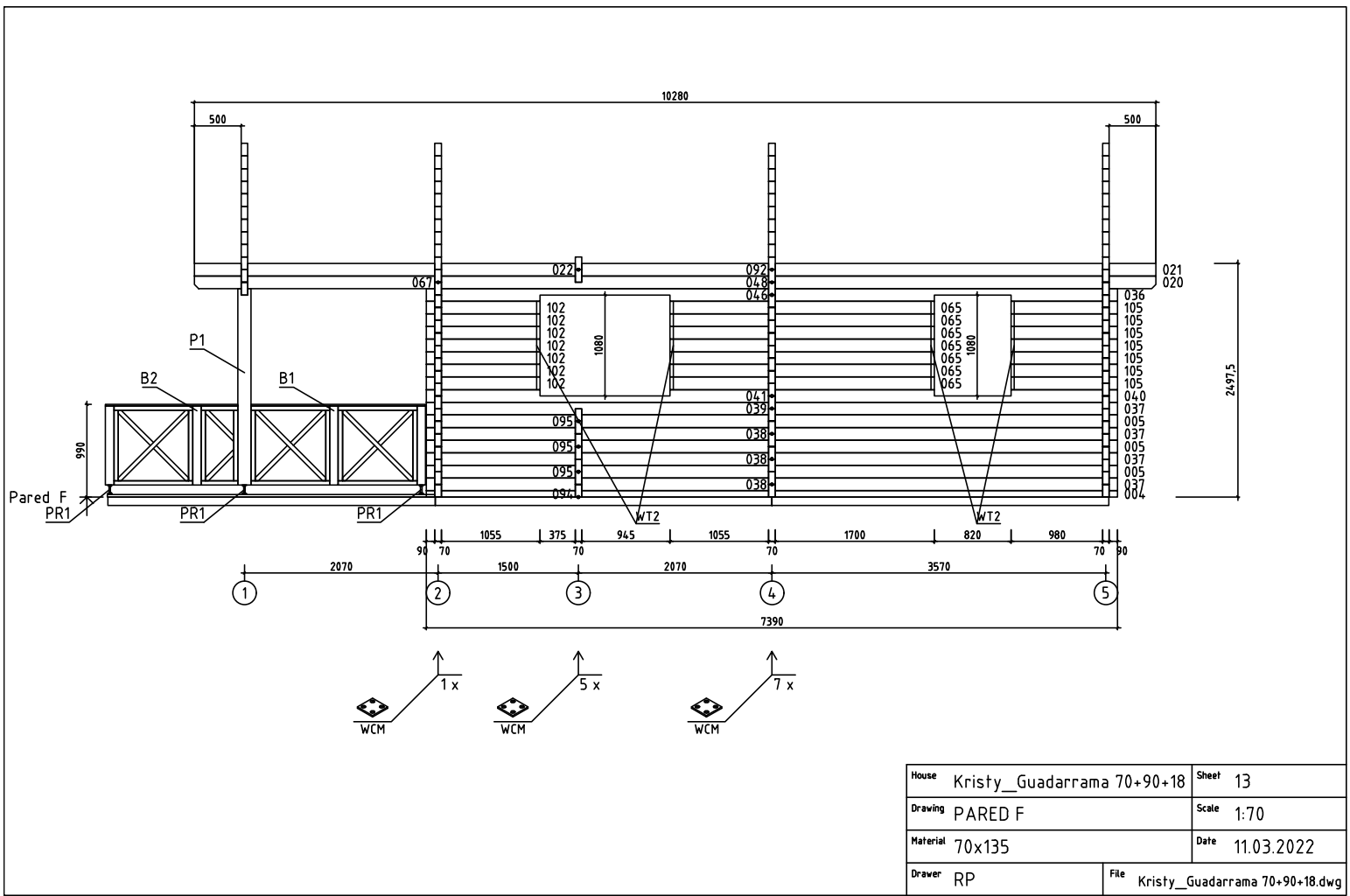
House	Kristy_Guadarrama 70+90+18	Sheet	9
Drawing	PARED B	Scale	1:70
Material	70x135	Date	11.03.2022
Drawer	RP	File	Kristy_Guadarrama 70+90+18.dwg

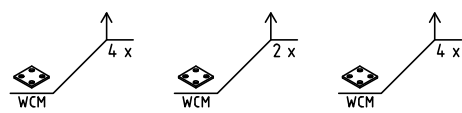
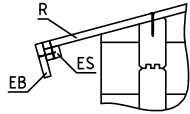
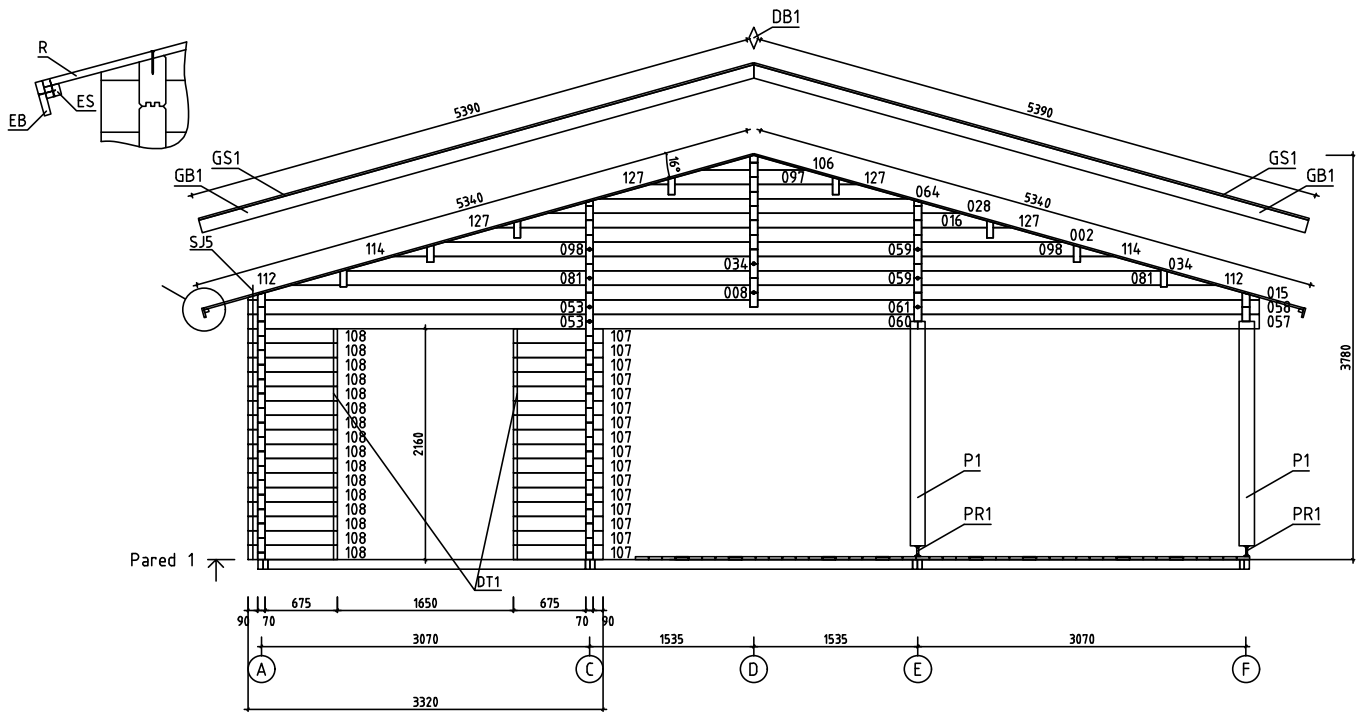


House	Kristy_Guadarrama 70+90+18	Sheet	11
Drawing	PARED D	Scale	1:70
Material	70x135	Date	11.03.2022
Drawer	RP	File	Kristy_Guadarrama 70+90+18.dwg



House	Kristy_Guadarrama 70+90+18	Sheet	12
Drawing	PARED E	Scale	1:70
Material	70x135	Date	11.03.2022
Draver	RP	File	Kristy_Guadarrama 70+90+18.dwg





House	Kristy_Guadarrama 70+90+18	Sheet	14
Drawing	PARED 1	Scale	1:70
Material	70x135	Date	11.03.2022
Drawer	RP	File	Kristy_Guadarrama 70+90+18.dwg